



US011072006B2

(12) **United States Patent**
Campanella et al.

(10) **Patent No.:** **US 11,072,006 B2**

(45) **Date of Patent:** ***Jul. 27, 2021**

(54) **DEVICES AND TECHNIQUES RELATING TO LANDFILL GAS EXTRACTION**

- (71) Applicant: **Loci Controls, Inc.**, Wareham, MA (US)
- (72) Inventors: **Andrew Campanella**, Somerville, MA (US); **Joseph G. Michels**, New York, NY (US); **Peter Quigley**, Duxbury, MA (US); **Ian Martin**, Sharon, MA (US)
- (73) Assignee: **Loci Controls, Inc.**, Wareham, MA (US)

(*) Notice: Subject to any disclaimer, the term of this patent is extended or adjusted under 35 U.S.C. 154(b) by 0 days.

This patent is subject to a terminal disclaimer.

(21) Appl. No.: **16/745,892**

(22) Filed: **Jan. 17, 2020**

(65) **Prior Publication Data**
US 2020/0197990 A1 Jun. 25, 2020

Related U.S. Application Data
(63) Continuation of application No. 15/493,174, filed on Apr. 21, 2017, now Pat. No. 10,576,514, which is a (Continued)

(51) **Int. Cl.**
B09B 1/00 (2006.01)
E21B 43/00 (2006.01)

(52) **U.S. Cl.**
CPC **B09B 1/006** (2013.01); **E21B 43/00** (2013.01)

(58) **Field of Classification Search**
CPC B09B 1/006; E21B 43/00
See application file for complete search history.

(56) **References Cited**

U.S. PATENT DOCUMENTS

- 3,062,037 A 11/1962 Donner et al.
 - 3,567,387 A 3/1971 Jones
- (Continued)

FOREIGN PATENT DOCUMENTS

- WO WO 2006/005014 A2 1/2006
- WO WO 2015/072989 A1 5/2015
- WO WO 2016/010985 A1 1/2016

OTHER PUBLICATIONS

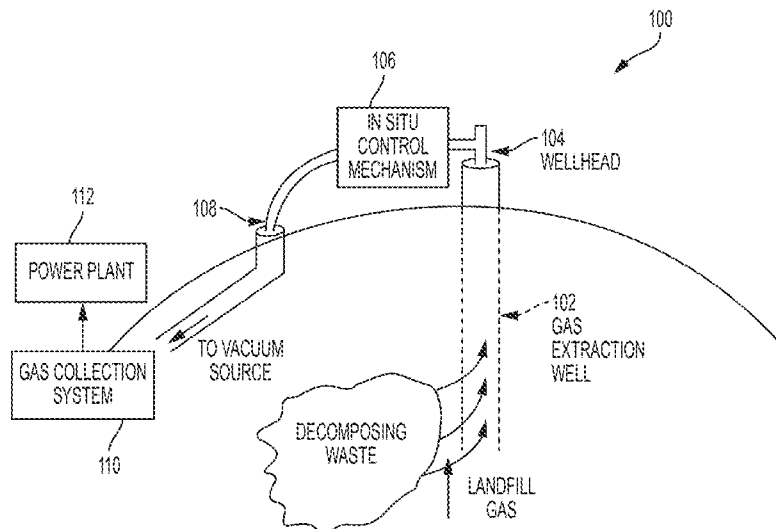
U.S. Appl. No. 14/532,807, filed Nov. 4, 2014, Campanella et al.
(Continued)

Primary Examiner — James G Sayre
(74) *Attorney, Agent, or Firm* — Wolf, Greenfield & Sacks, P.C.

(57) **ABSTRACT**

A control system for controlling extraction of landfill gas, comprising: at least one sensor configured to measure one or more characteristics of landfill gas; at least one flow control mechanism disposed in well piping and configured to control flow of the landfill gas through the well piping; and at least one processor configured to: obtain a measured concentration of a first gas in landfill gas; determine whether the measured concentration of the first gas is either less than a first threshold concentration or greater than a second threshold concentration; when it is determined that the measured concentration is less than the first threshold concentration, control the at least one flow control mechanism to reduce flow rate of landfill gas; and when it is determined that the concentration is greater than the second threshold concentration, control the at least one flow control mechanism to increase the flow rate of landfill gas.

21 Claims, 10 Drawing Sheets



Related U.S. Application Data

continuation-in-part of application No. 14/532,807, filed on Nov. 4, 2014, now Pat. No. 10,029,290.

- (60) Provisional application No. 61/913,628, filed on Dec. 9, 2013, provisional application No. 61/899,828, filed on Nov. 4, 2013.

(56) **References Cited**

U.S. PATENT DOCUMENTS

4,026,355	A	5/1977	Johnson et al.	
4,191,541	A	3/1980	Jenkins	
4,227,897	A	10/1980	Reed	
4,494,380	A	1/1985	Cross	
4,670,148	A *	6/1987	Schneider	E21B 43/00 210/603
4,890,672	A	1/1990	Hall	
5,063,519	A	11/1991	Zison	
5,209,941	A	5/1993	Wuest	
5,223,229	A	6/1993	Brucker	
5,451,249	A	9/1995	Spiegel et al.	
5,458,006	A	10/1995	Roqueta	
5,665,314	A	9/1997	Berger et al.	
5,681,360	A	10/1997	Siwajek et al.	
5,695,641	A	12/1997	Cosulich et al.	
5,830,262	A	11/1998	Marchini et al.	
6,169,962	B1	1/2001	Brookshire et al.	
6,196,324	B1	3/2001	Giacomino et al.	
6,241,950	B1	6/2001	Veelenturf et al.	
6,399,391	B1	6/2002	Tomlin	
6,591,695	B1	7/2003	Brookshire et al.	
6,595,287	B2	7/2003	Fisher	
6,611,760	B2	8/2003	Bentley et al.	
6,749,368	B2	6/2004	Ankeny et al.	
6,799,477	B2	10/2004	Brookshire et al.	
6,999,883	B1	2/2006	Brady et al.	
7,187,299	B2	3/2007	Kunerth et al.	
7,198,433	B2	4/2007	Augenstein et al.	
7,243,730	B2	7/2007	Casey	
7,273,098	B2	9/2007	Evans et al.	
7,373,976	B2	5/2008	Casey	
7,387,163	B2	6/2008	Seegers et al.	
7,448,828	B2	11/2008	Augenstein et al.	
7,748,450	B2	7/2010	Mundell	
7,866,921	B2	1/2011	Stamoulis	
7,950,464	B2	5/2011	Atencio et al.	
7,972,082	B2	7/2011	Augenstein et al.	
8,047,276	B2	11/2011	Stamoulis	
8,168,121	B2	5/2012	Elkins	
8,186,211	B2	5/2012	Boult et al.	
8,840,708	B1	9/2014	Morrow et al.	
8,924,029	B2	12/2014	Nath et al.	
9,062,536	B2	6/2015	Fischer et al.	
10,029,290	B2	7/2018	Campanella et al.	
10,400,560	B2	9/2019	Campanella et al.	
10,408,747	B2	9/2019	Schlueter et al.	
10,449,578	B2	10/2019	Campanella et al.	
10,556,259	B2	2/2020	Campanella et al.	
10,576,514	B2 *	3/2020	Campanella	B09B 1/006
10,576,515	B2	3/2020	Campanella et al.	
10,639,687	B2	5/2020	Campanella et al.	
10,705,063	B2	7/2020	Campanella et al.	
2001/0005812	A1 *	6/2001	Brookshire	B09B 1/00 702/6
2002/0101718	A1	8/2002	Negishi	
2003/0000281	A1	1/2003	Ketler et al.	
2004/0055359	A1	3/2004	Ketler et al.	
2004/0121201	A1	6/2004	Roche et al.	
2006/0034664	A1	2/2006	Augenstein et al.	
2006/0251540	A1	11/2006	Benning et al.	
2007/0224085	A1	9/2007	Tooley	
2007/0225923	A1	9/2007	Tooley	
2008/0011248	A1	1/2008	Cutlip et al.	
2008/0127726	A1	6/2008	Elkins	
2009/0136298	A1	5/2009	Augenstein et al.	

2010/0310733	A1	12/2010	Hoffman	
2011/0061439	A1	3/2011	Dong et al.	
2011/0061874	A1	3/2011	Stamoulis	
2011/0081586	A1	4/2011	McAlister	
2011/0132104	A1	6/2011	Benson et al.	
2011/0198094	A1	8/2011	Stamoulis	
2011/0231099	A1	9/2011	Elkins	
2011/0272420	A1	11/2011	Landess et al.	
2012/0191349	A1	7/2012	Lenz et al.	
2012/0206715	A1	8/2012	Laub	
2012/0287418	A1	11/2012	Scherer et al.	
2013/0180703	A1	7/2013	Colby	
2013/0193325	A1	8/2013	Phillips et al.	
2013/0247647	A1	9/2013	Mahoney et al.	
2013/0334418	A1	12/2013	Cowie et al.	
2014/0182846	A1	7/2014	Fischer et al.	
2014/0284935	A1	9/2014	Disbennett et al.	
2014/0338878	A1	11/2014	Tessnow	
2015/0000426	A1	1/2015	Rolston et al.	
2015/0226045	A1	8/2015	Fischer et al.	
2015/0275632	A1	10/2015	Fischer et al.	
2015/0330938	A1	11/2015	Henson et al.	
2015/0354032	A1	12/2015	Yuan et al.	
2015/0362468	A1	12/2015	Gerhold	
2016/0011159	A1	1/2016	Sekiya et al.	
2016/0025696	A1	1/2016	Birks et al.	
2016/0033391	A1	2/2016	Stroganov et al.	
2016/0123946	A1	5/2016	Dufresne	
2016/0169826	A1	6/2016	Youssi et al.	
2016/0209133	A1	7/2016	Hu et al.	
2016/0237007	A1	8/2016	Morrow et al.	
2016/0238494	A1	8/2016	Chrin, II	
2016/0287870	A1	10/2016	Yip et al.	
2016/0377457	A1	12/2016	Zhang et al.	
2017/0080762	A1	3/2017	Guinart et al.	
2017/0122065	A1	5/2017	Fischer et al.	
2017/0176590	A1	6/2017	Sharonov et al.	
2017/0216891	A1	8/2017	Campanella et al.	
2017/0216892	A1	8/2017	Campanella et al.	
2017/0216893	A1	8/2017	Campanella et al.	
2017/0218730	A1	8/2017	Campanella et al.	
2017/0218731	A1	8/2017	Campanella et al.	
2017/0218732	A1	8/2017	Campanella et al.	
2017/0254196	A1	9/2017	Campanella et al.	
2017/0254787	A1	9/2017	Campanella et al.	
2018/0003572	A1	1/2018	Garsd et al.	
2018/0003684	A1	1/2018	Kerr	
2018/0024202	A1	1/2018	Erickson et al.	
2018/0154408	A1	6/2018	Ko et al.	
2018/0164137	A1	6/2018	Layher et al.	
2018/0171604	A1	6/2018	Kim et al.	
2018/0209248	A1	7/2018	Patel et al.	
2018/0304323	A1	10/2018	Campanella et al.	
2019/0069245	A1	2/2019	Miller et al.	
2019/0277119	A1	9/2019	Campion	
2019/0277821	A1	9/2019	Quigley et al.	
2020/0086365	A1	3/2020	Campanella et al.	
2020/0101504	A1	4/2020	Quigley et al.	
2020/0101505	A1	4/2020	Quigley et al.	
2020/0130033	A1	4/2020	Campanella et al.	
2020/0254497	A1	8/2020	Campanella et al.	
2020/0306806	A1	10/2020	Quigley et al.	
2020/0306807	A1	10/2020	Quigley et al.	

OTHER PUBLICATIONS

U.S. Appl. No. 16/464,236, filed Mar. 20, 2017, Campanella et al.
 EP 17760717.3, Oct. 2, 2019, Extended European Search Report.
 PCT/US2017/020196, Jun. 7, 2017, International Search Report and
 Written Opinion.
 PCT/US17/28818, Jul. 10, 2017, Invitation to Pay Additional Fees.
 PCT/US17/28818, Sep. 8, 2017, International Search Report and
 Written Opinion.
 PCT/US2019/020251, May 31, 2019, International Search Report
 and Written Opinion.
 PCT/US2019/054013, Dec. 4, 2019, International Search Report
 and Written Opinion.

(56)

References Cited

OTHER PUBLICATIONS

EP 17906368.0, Oct. 15, 2020, Extended European Search Report. [No Author Listed], 50% CH₄, 35% CO₂, 15% N₂. Instrument Depot. 2015: 2 pages. http://www.instrumentdepot.com/50-methane-35-carbon-dioxide-15-nitrogen-c-1_27_472.html [last accessed Sep. 25, 2015].

Extended European Search Report for European Application No. 17760717.3 dated Oct. 2, 2019.

International Search Report and Written Opinion for International Application No. PCT/US17/28818 dated Sep. 8, 2017.

International Search Report and Written Opinion for International Application No. PCT/US2019/020251 dated May 31, 2019.

International Search Report and Written Opinion for International Application No. PCT/US2019/054013 dated Dec. 4, 2019.

International Search Report and Written Opinion for International Application No. PCT/US2017/020196 dated Jun. 7, 2017.

Invitation to Pay Additional Fees for International Application No. PCT/US17/28818 mailed Jul. 10, 2017.

[No Author Listed], Cloud-Based Wellwatcher Analytics Platform Offers 24/7/365 Visibility on Landfill Gas-Collection Systems. Tech Note. Loci Controls. Nov. 2016. 1 page.

[No Author Listed], Increase Landfill Gas Collection By Up To 30%. Tech Note. Loci Controls. Oct. 2016. 1 page.

[No Author Listed], Loci Controller Combines Active Flow Control With 24/7/365 Real-Time Gas-Composition Analysis to Maximize Landfill Gas Extraction. Tech Note. Loci Controls. Nov. 2016. 1 page.

[No Author Listed], Loci Sentry Utilizes Passive Flow and Gas-Composition Monitoring in Conjunction With Loci Controller and Wellwatcher Analytics to Maximize Landfill Gas Collection. Tech Note. Loci Controls. Nov. 2016. 1 page.

[No Author Listed], Methacontrol® Optimizing landfill gas recovery. Oct. 9, 2013. <http://www.veolia.com/en/veolia-group/media/news/methacontrol-r> 1 page.

Bieker et al., Real-Time Production Optimization of Offshore Oil and Gas Production Systems: A Technology Survey. SPE International. 2006. 8 pages.

Collins et al., Web-based monitoring of year-length deployments of autonomous gas sensing platforms on landfill sites. 2011 IEEE Sensors Proceedings. 2011. 1620-3.

Fay et al., Remote Real-Time Monitoring of Subsurface Landfill Gas Migration. Sensors. 2011;11(7):6603-29.

Xu et al., Impact of changes in barometric pressure on landfill methane emission. AGU Publications. Jul. 10, 2014. 17 pages.

Extended European Search Report for European Application No. 17906368.0 dated Oct. 15, 2020.

U.S. Appl. No. 14/532,807, filed Apr. 4, 2014, Campanella et al.

U.S. Appl. No. 15/456,936, filed Mar. 13, 2017, Campanella et al.

U.S. Appl. No. 15/456,982, filed Mar. 13, 2017, Campanella et al.

U.S. Appl. No. 15/464,236, filed Mar. 20, 2017, Campanella et al.

U.S. Appl. No. 15/478,583, filed Apr. 4, 2017, Campanella et al.

U.S. Appl. No. 15/493,174, filed Apr. 21, 2017, Campanella et al.

U.S. Appl. No. 15/493,184, filed Apr. 21, 2017, Campanella et al.

U.S. Appl. No. 15/493,201, filed Apr. 21, 2017, Campanella et al.

U.S. Appl. No. 16/024,085, filed Jun. 29, 2018, Campanella et al.

U.S. Appl. No. 16/290,387, filed Mar. 2, 2019, Quigley et al.

U.S. Appl. No. 16/589,372, filed Oct. 1, 2019, Quigley et al.

U.S. Appl. No. 16/589,391, filed Oct. 1, 2019, Quigley et al.

U.S. Appl. No. 16/694,745, filed Nov. 25, 2019, Campanella et al.

U.S. Appl. No. 16/726,232, filed Dec. 23, 2019, Campanella et al.

U.S. Appl. No. 16/831,131, filed Mar. 26, 2020, Campanella et al.

U.S. Appl. No. 16/901,405, filed Jun. 15, 2020, Quigley et al.

U.S. Appl. No. 16/901,430, filed Jun. 15, 2020, Quigley et al.

U.S. Appl. No. 16/927,471, filed Jul. 13, 2020, Quigley et al.

U.S. Appl. No. 16/927,479, filed Jul. 13, 2020, Quigley et al.

U.S. Appl. No. 16/927,482, filed Jul. 13, 2020, Quigley et al.

U.S. Appl. No. 16/927,488, filed Jul. 13, 2020, Quigley et al.

U.S. Appl. No. 17/086,987, filed Nov. 2, 2020, Quigley et al.

* cited by examiner

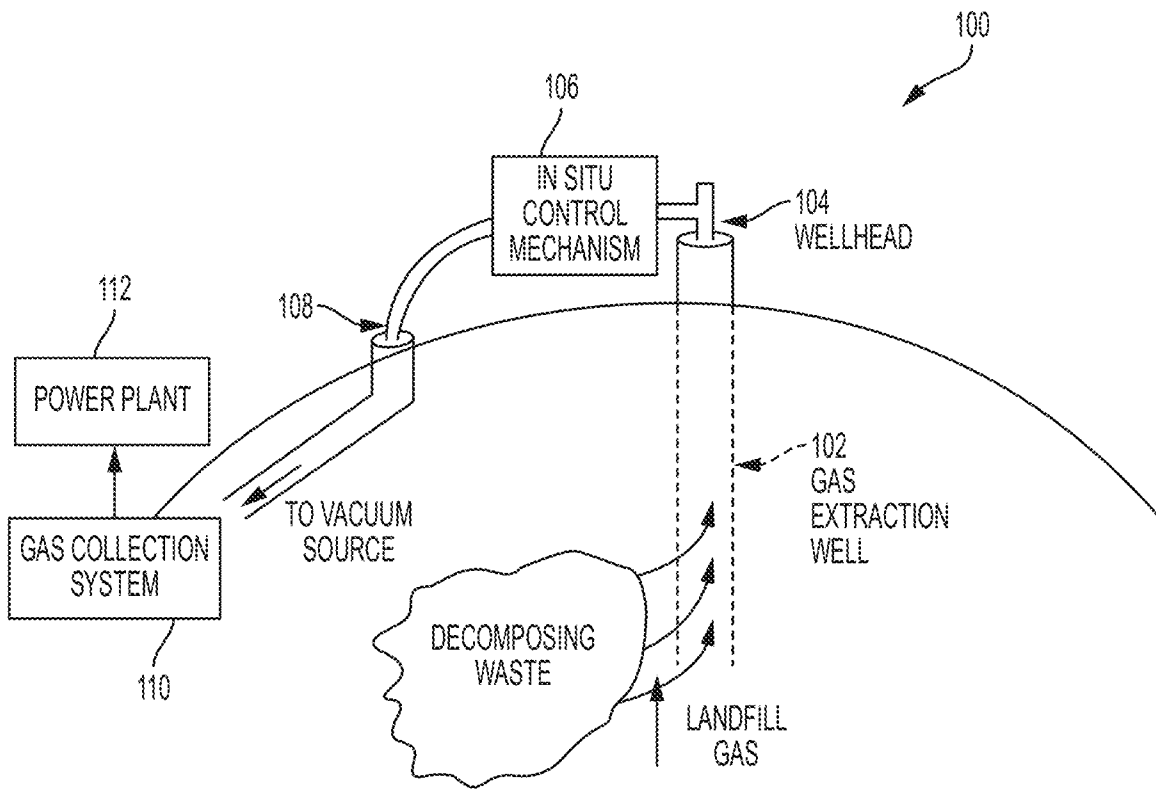


FIG. 1

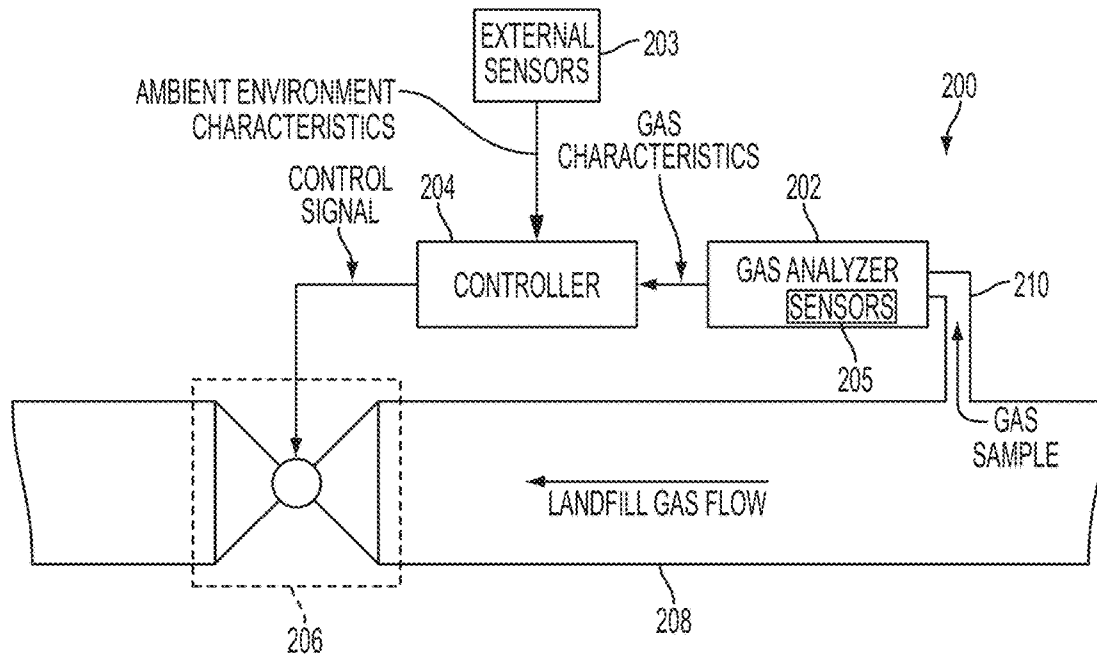


FIG. 2

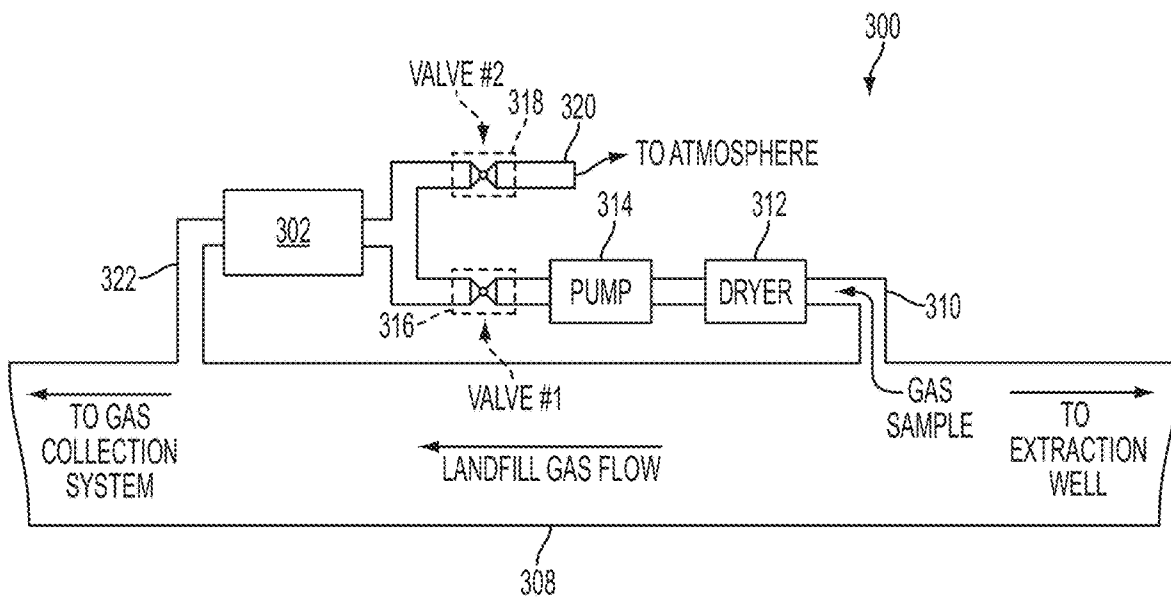


FIG. 3

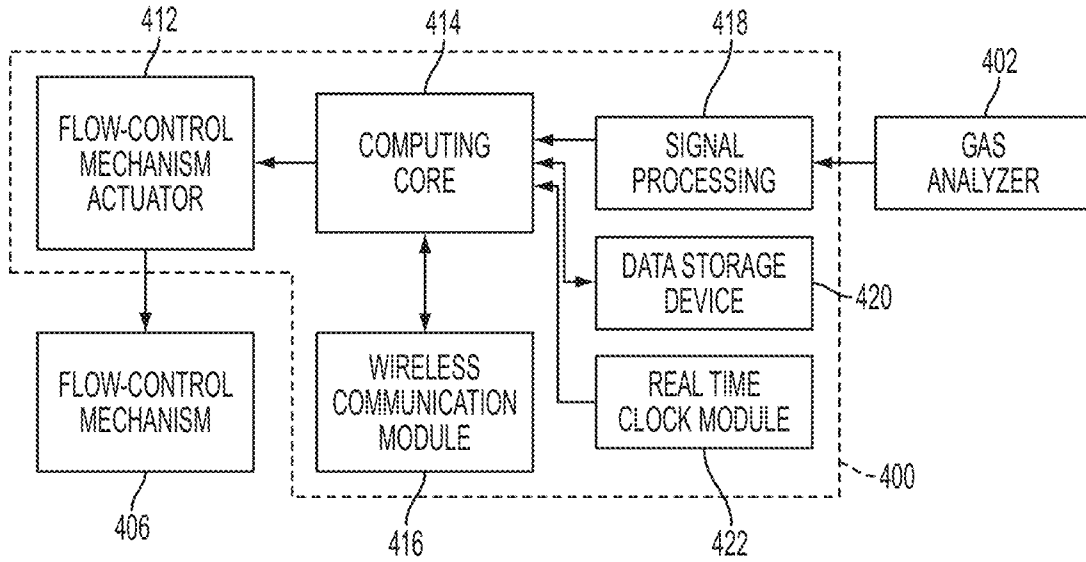


FIG. 4

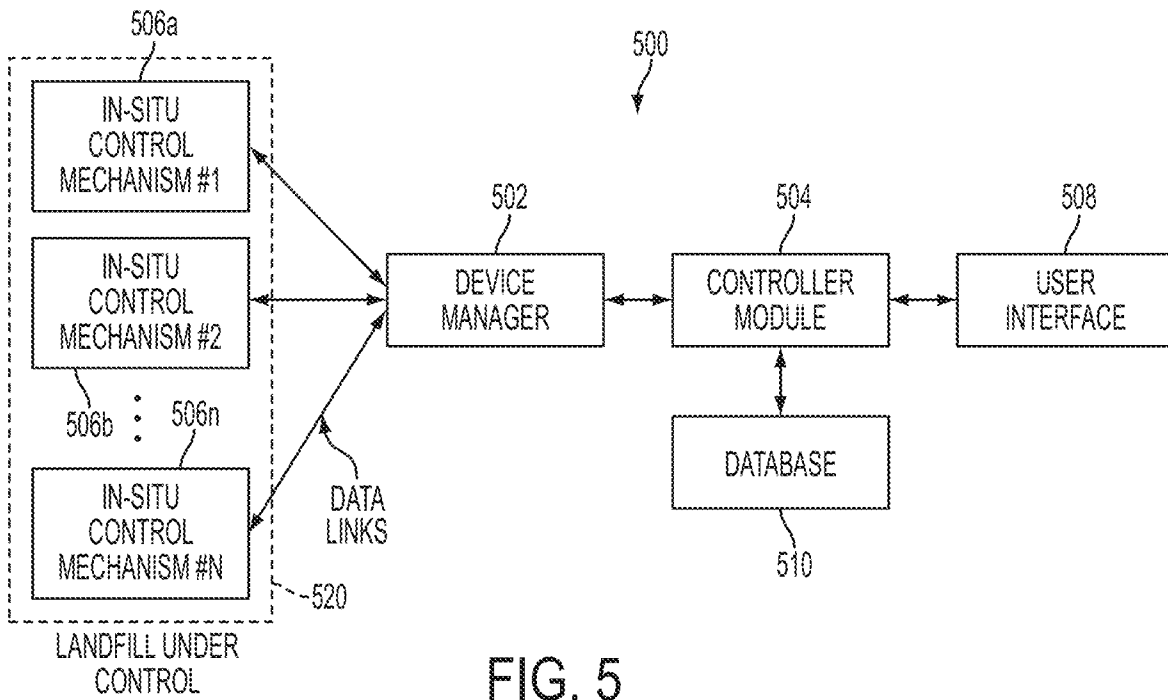


FIG. 5

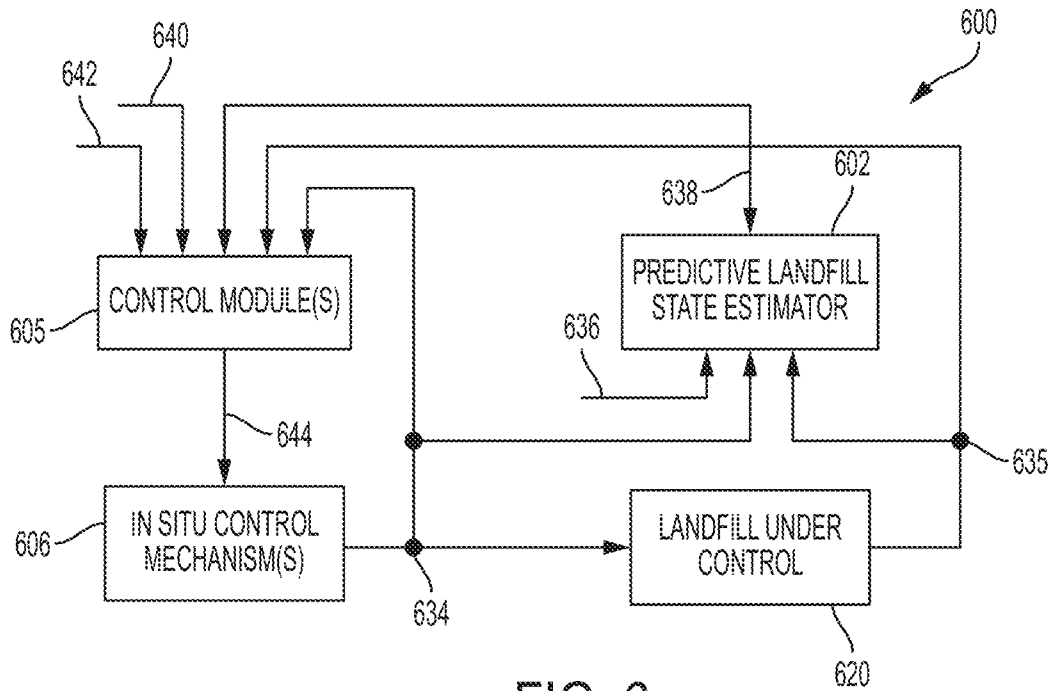


FIG. 6

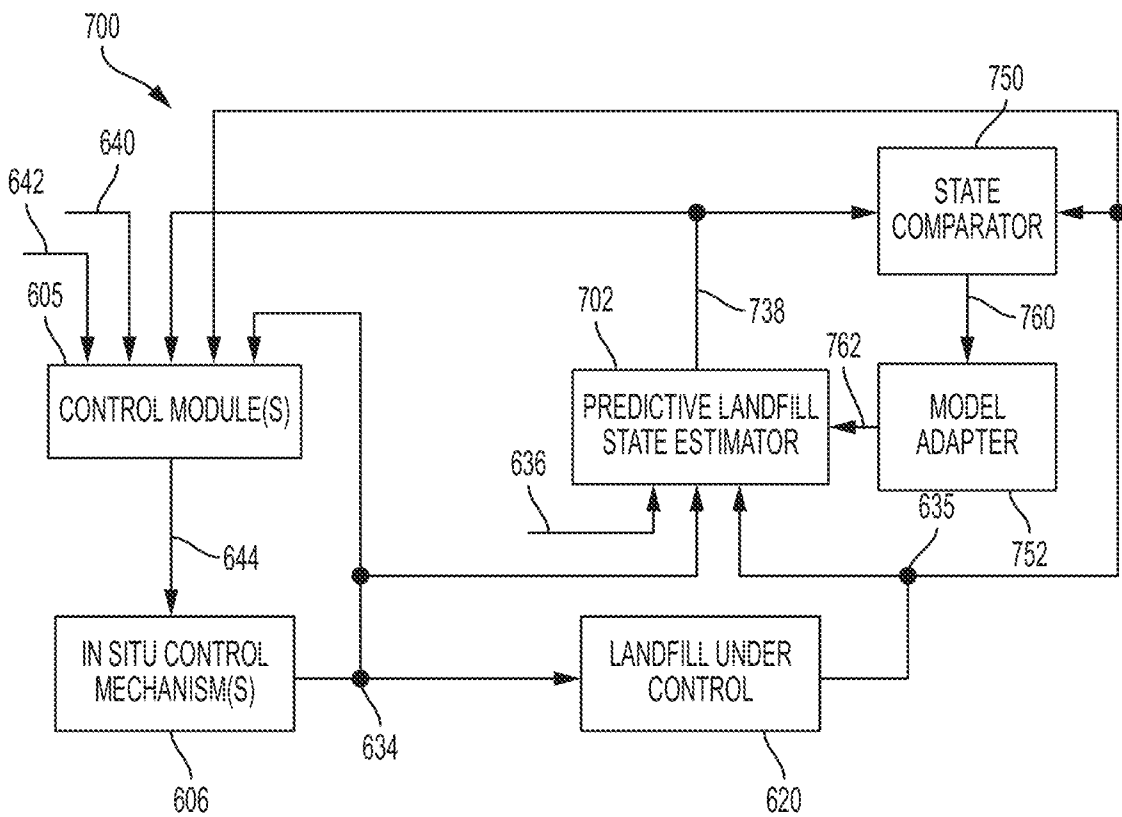


FIG. 7

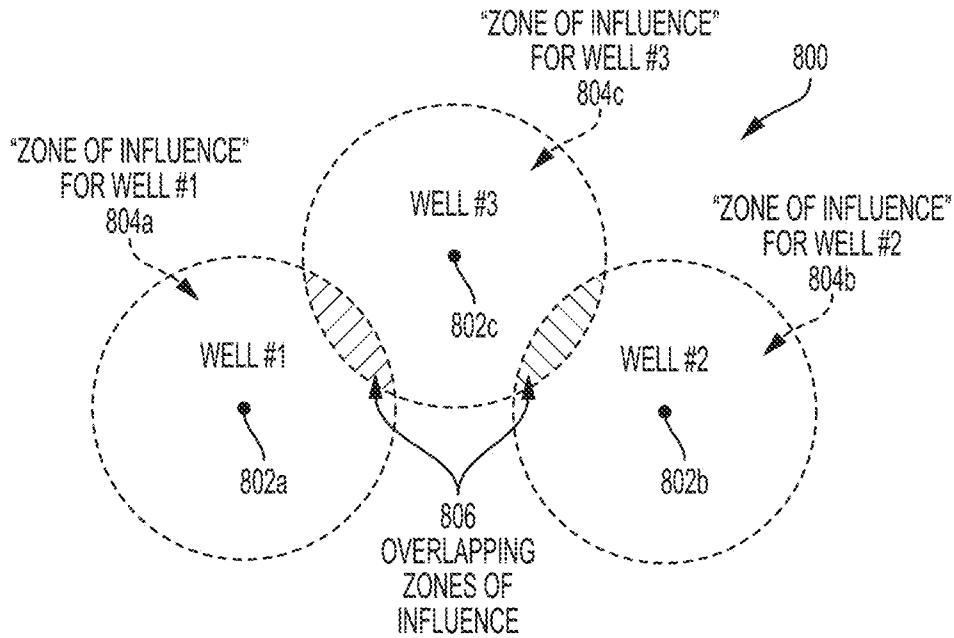


FIG. 8

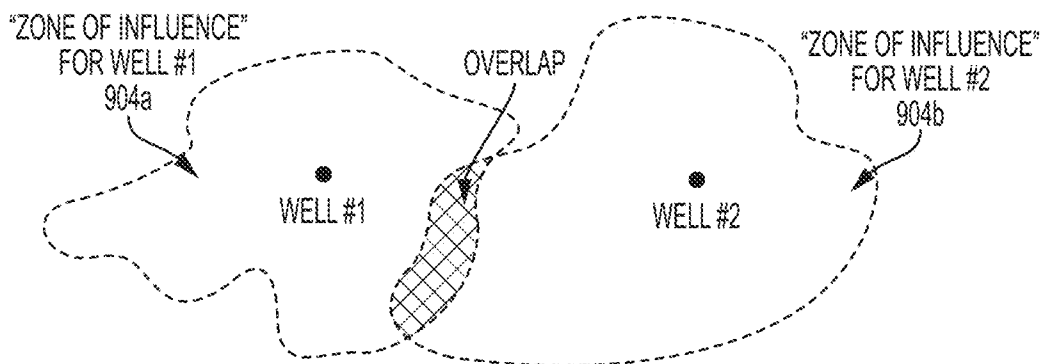


FIG. 9

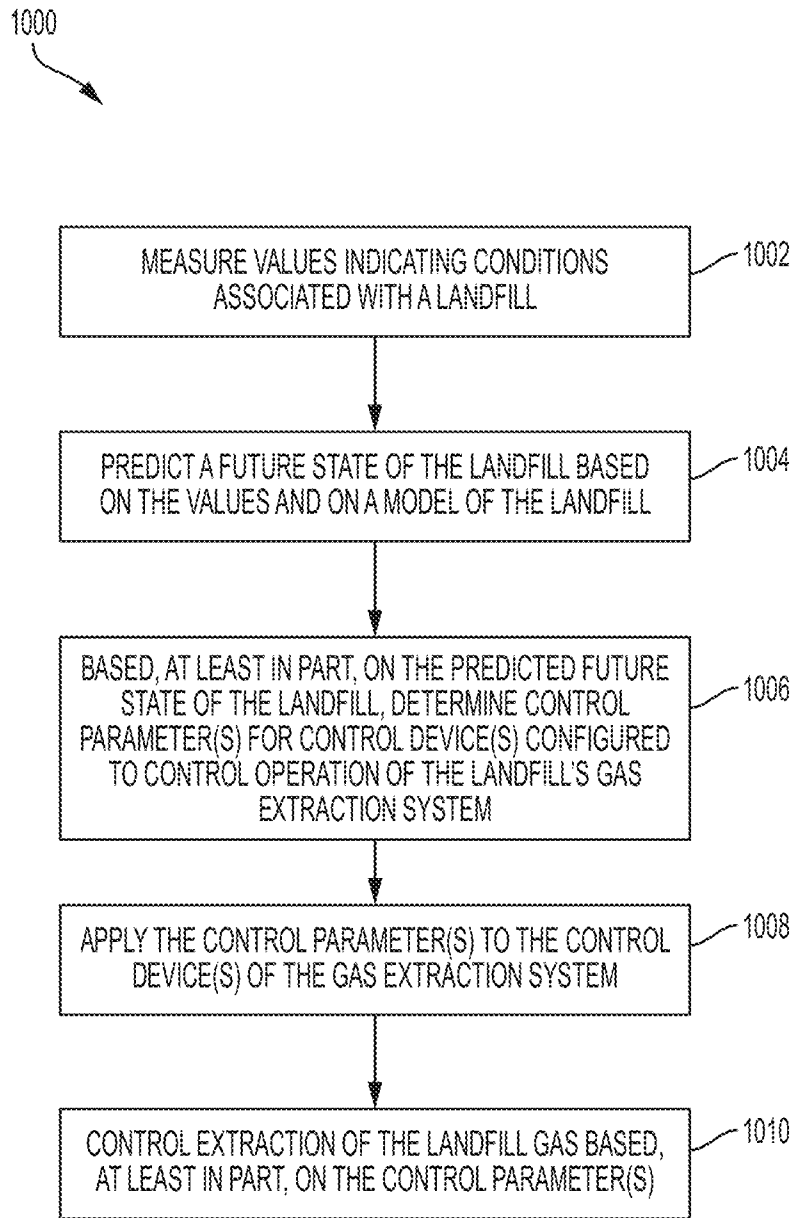


FIG. 10

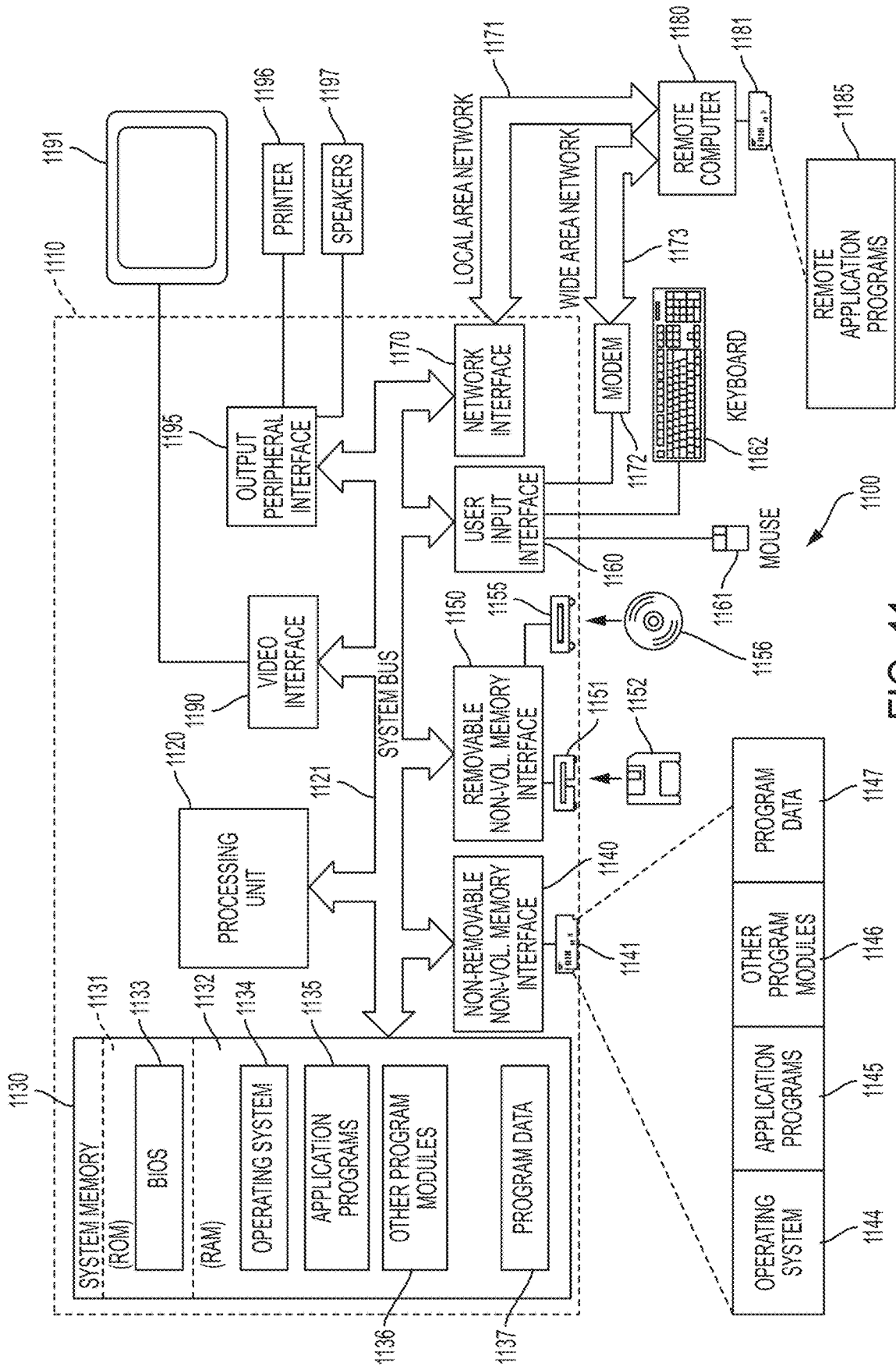


FIG. 11

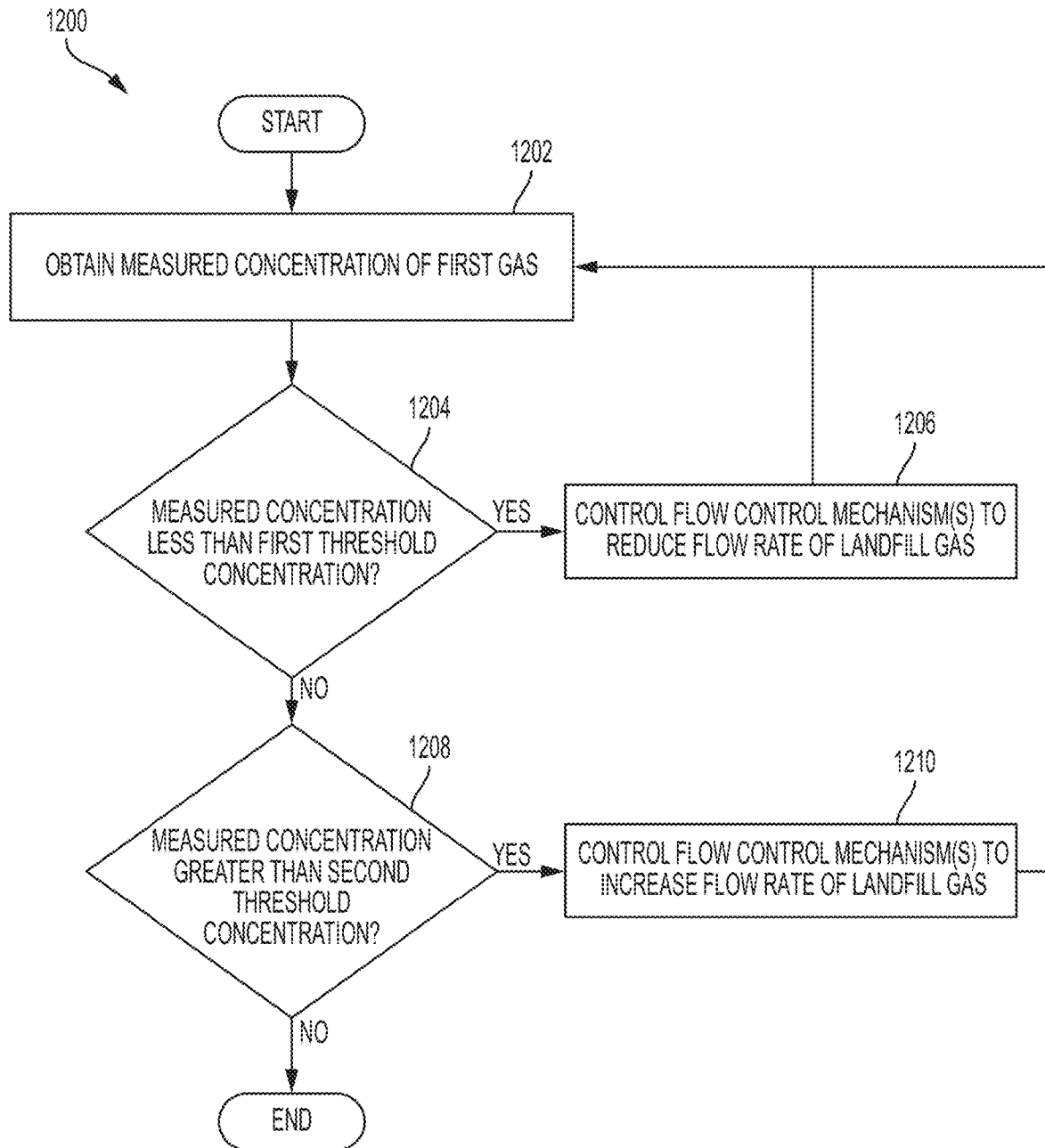


FIG. 12

1300

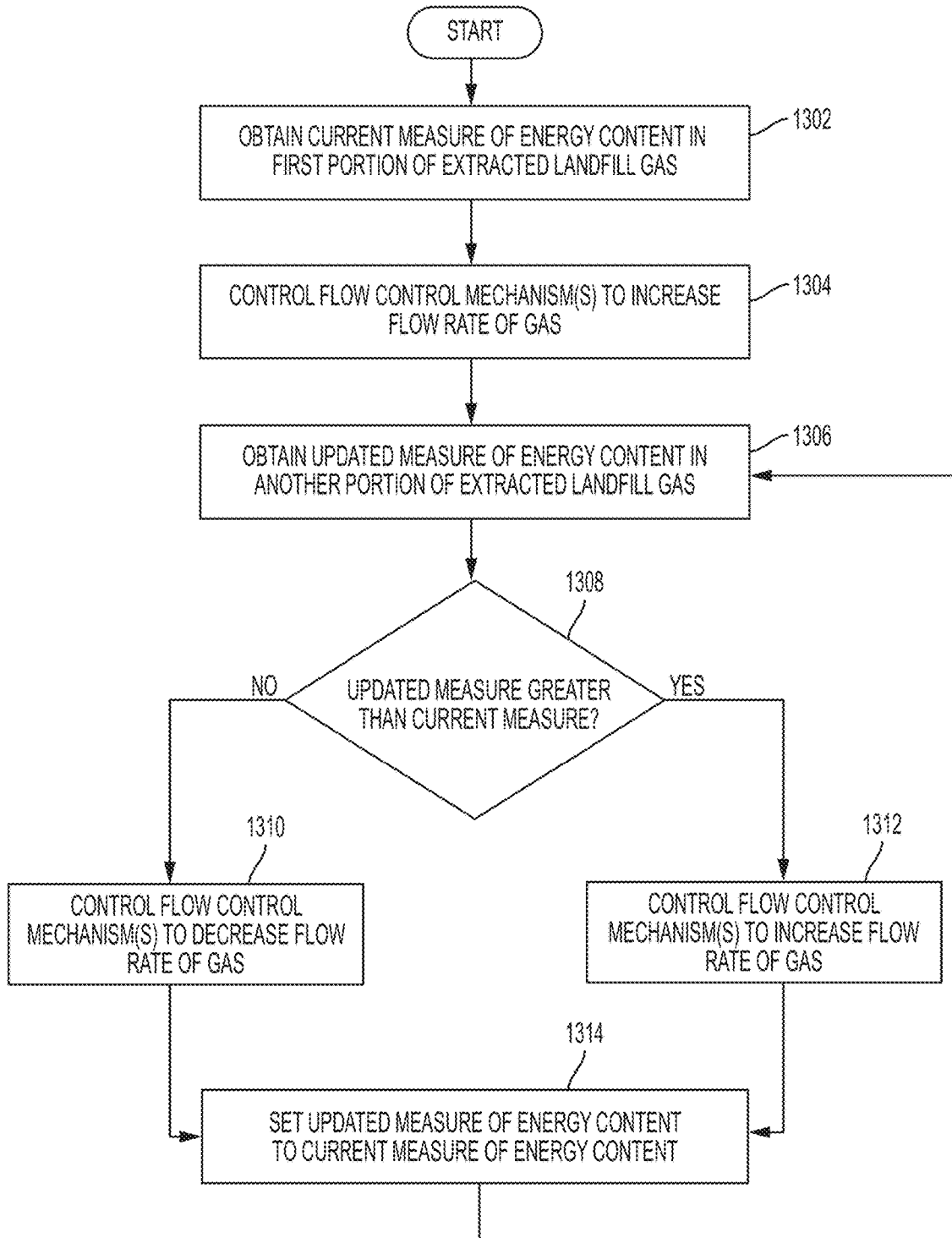


FIG. 13

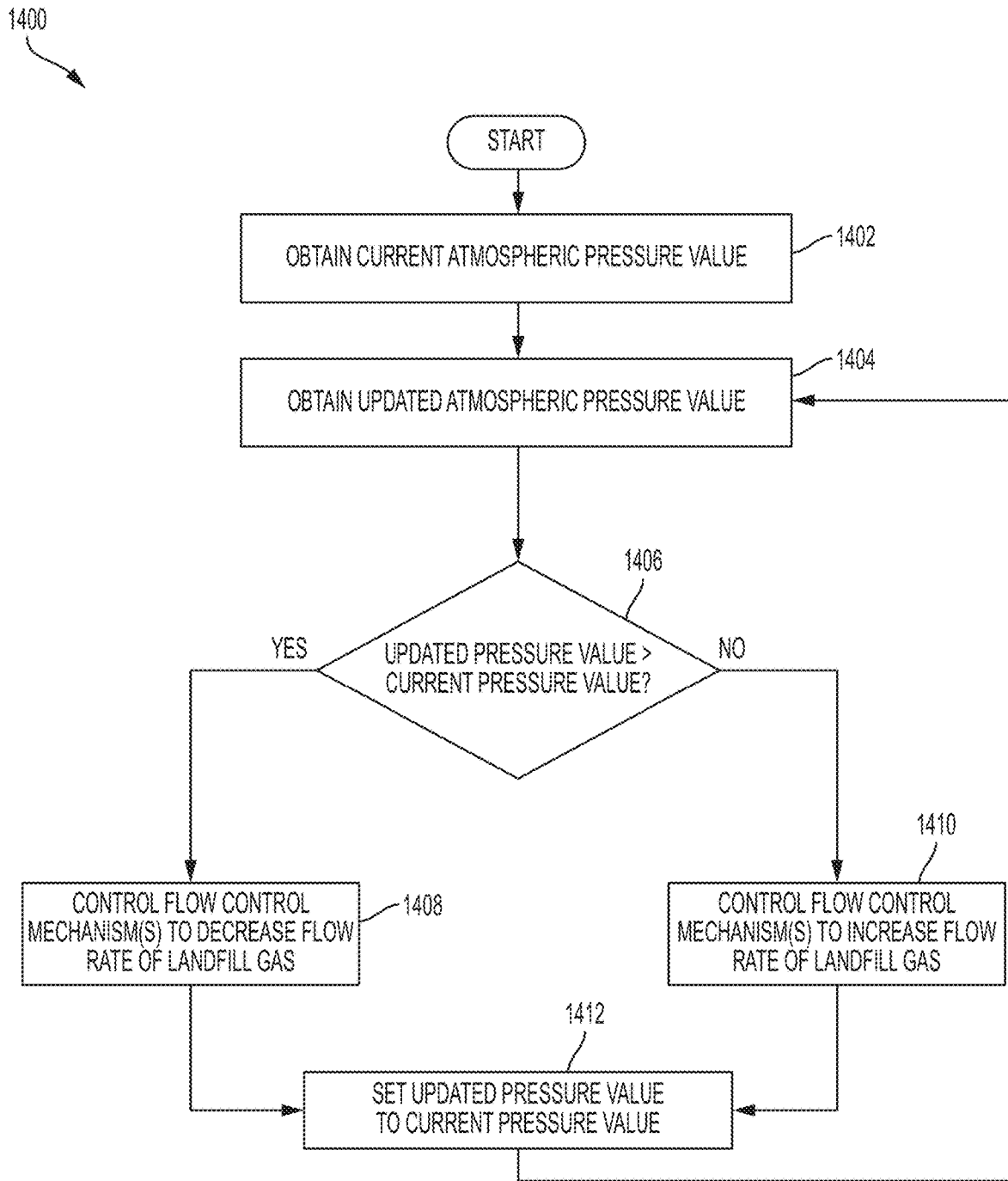


FIG. 14

DEVICES AND TECHNIQUES RELATING TO LANDFILL GAS EXTRACTION

CROSS-REFERENCE TO RELATED APPLICATIONS

This Application is a continuation of and claims priority under 35 U.S.C. § 120 to U.S. patent application Ser. No. 15/493,174 titled “Devices and Techniques Relating to Landfill Gas Extraction,” filed Apr. 21, 2017, which is a continuation-in-part of and claims priority under 35 U.S.C. § 120 to U.S. patent application Ser. No. 14/532,807 titled “Devices and Techniques Relating to Landfill Gas Extraction,” filed Nov. 4, 2014, which claims the benefit under 35 U.S.C. § 119(e) of U.S. Provisional Application Ser. No. 61/899,828, titled “In-Situ Control Mechanisms for Landfill Gas Extraction Wells” and filed on Nov. 4, 2013, and U.S. Provisional Application Ser. No. 61/913,628, titled “System and Methods for Optimizing Landfill Gas Extraction” and filed on Dec. 9, 2013, each of which is hereby incorporated by reference herein in its entirety.

FEDERALLY SPONSORED RESEARCH

This invention was made with government support under SBIR Phase II Award No. 1632439 awarded by the National Science Foundation. The government has certain rights in the invention.

BACKGROUND

Technical Field

The devices and techniques described herein relate to controlling extraction of gas from landfills.

Discussion of the Related Art

Landfills typically produce landfill gas as a result of decomposition processes occurring in the waste, and methane is often a component of this landfill gas. In order to reduce emissions of methane and other contaminants in landfill gas, the landfill sites are typically capped with a layer of cover material and gas extraction systems are installed to pull landfill gas out before it can penetrate the cover layer and escape. At larger sites, these gas extraction systems can consist of a plurality of vertical and horizontal wells drilled into the landfill, which are connected with piping to one or more vacuum sources. The cover layer prevents gas from freely escaping, while the vacuum in the extraction wells pulls landfill gas into the collection system. A conventional landfill gas extraction well typically has a manual valve that adjusts the localized vacuum pressure in that well, as well as a set of ports for sampling the gas characteristics with a portable gas analyzer. Landfill gas is most often disposed of in a flare, processed for direct use, or used to power electricity generation equipment (such as generators or gas turbines).

SUMMARY

Some embodiments are directed to a control system for controlling extraction of landfill gas from a landfill via a gas extraction system, the gas extraction system comprising at least one vacuum source, well piping, and at least one well coupled to the at least one vacuum source through the well piping. The control system comprises at least one sensor

configured to measure one or more characteristics of landfill gas extracted from the landfill; at least one flow control mechanism disposed in the well piping and configured to control flow of the landfill gas through the well piping; and at least one processor configured to: obtain a measured concentration, obtained using the at least one sensor, of a first gas in landfill gas extracted from the landfill; determine whether the measured concentration of the first gas is either less than a first threshold concentration or greater than a second threshold concentration; when it is determined that the measured concentration is less than the first threshold concentration, control the at least one flow control mechanism to reduce flow rate of landfill gas through the at least one flow control mechanism; and when it is determined that the concentration is greater than the second threshold concentration, control the at least one flow control mechanism to increase the flow rate of landfill gas through the at least one flow control mechanism.

In some embodiments, when it is determined that the measured concentration is less than the first threshold concentration, the at least one processor is further configured to: after controlling the at least one flow control mechanism to reduce the flow rate of the landfill gas through the at least one flow control mechanism, obtain a second measured concentration of the first gas in landfill gas extracted from the landfill; determine whether the second measured concentration of the first gas is less than the first threshold concentration; and when it is determined that the second measured concentration of the first gas is less than the first threshold concentration, control the at least one flow control mechanism to further reduce the flow rate of landfill gas through the at least one flow control mechanism.

In some embodiments, when it is determined that the measured concentration is greater than the second threshold concentration, the at least one processor is further configured to: after controlling the at least one flow control mechanism to increase the flow rate of the landfill gas through the at least one flow control mechanism, obtain a second measured concentration of the first gas in landfill gas extracted from the landfill; determine whether the second measured concentration of the first gas is greater than the second threshold concentration; and when it is determined that the second measured concentration of the first gas is greater than the second threshold concentration, control the at least one flow control mechanism to further increase the flow rate of landfill gas through the at least one flow control mechanism.

In some embodiments, the first gas is methane and the at least one processor is configured to determine whether the measured concentration of methane is less than the first threshold concentration at least in part by determining whether the measured concentration of methane is less than 45 percent of methane by volume. In some embodiments, the first gas is methane, and the at least one processor is configured to determine whether the measured concentration of methane is greater than the second concentration at least in part by determining whether the measured concentration of methane is greater than 55 percent of methane by volume. In some embodiments, the first threshold concentration is less than the second threshold concentration.

In some embodiments, the at least one flow control mechanism comprises at least one valve, the at least one processor is configured to control the at least one flow control mechanism to increase the flow rate of landfill gas at least in part by causing the at least one valve to open to a greater degree, and the at least one processor is configured to control the at least one flow control mechanism to

decrease the flow rate of landfill gas at least in part by causing the at least one valve to close to a greater degree.

In some embodiments the first gas is methane. In some embodiments, the at least one sensor comprises a sensor configured to detect partial pressure or concentration of methane.

In some embodiments the at least one sensor is coupled to the at least one flow control mechanism. In some embodiments, the at least one processor is located remotely from the at least one flow control mechanism and is configured to wirelessly communicate with the at least one flow control mechanism.

Some embodiments are directed to a method for controlling extraction of landfill gas from a landfill via a control system, the control system comprising at least one sensor and at least one flow control mechanism configured to control flow of landfill gas through well piping in a gas extraction system. The method comprises: measuring, using the at least one sensor, a concentration of a first gas in landfill gas extracted from the landfill, determining whether the measured concentration of the first gas is either less than a first threshold concentration or greater than a second threshold concentration; when it is determined that the measured concentration is less than the first threshold concentration, controlling the at least one flow control mechanism to reduce the flow rate of landfill gas through the at least one flow control mechanism; and when it is determined that the concentration is greater than the second threshold concentration, controlling the at least one flow control mechanism to increase the flow rate of landfill gas through the at least one flow control mechanism.

In some embodiments, when it is determined that the measured concentration is less than the first threshold concentration, the method further comprises: after controlling the at least one flow control mechanism to reduce the flow rate of the landfill gas through the at least one flow control mechanism, measuring a second concentration of the first gas in landfill gas extracted from the landfill; determining whether the second concentration of the first gas is less than the first threshold concentration; and when it is determined that the second concentration of the first gas is less than the first threshold concentration, controlling the at least one flow control mechanism to further reduce the flow rate of landfill gas through the at least one flow control mechanism.

In some embodiments, when it is determined that the measured concentration is greater than the second threshold concentration, the method further comprises: after controlling the at least one flow control mechanism to increase the flow rate of the landfill gas through the at least one flow control mechanism, measuring a second concentration of the first gas in landfill gas extracted from the landfill; determining whether the second concentration of the first gas is greater than the second threshold concentration; and when it is determined that the second concentration of the first gas is greater than the second threshold concentration, controlling the at least one flow control mechanism to further increase the flow rate of landfill gas through the at least one flow control mechanism.

In some embodiments, the first gas is methane and determining whether the measured concentration of methane is less than the first threshold concentration comprises determining whether the measured concentration of methane is less than 45 percent of methane by volume. In some embodiments, the first gas is methane and determining whether the measured concentration of methane is greater than the

second concentration comprises determining whether the measured concentration of methane is greater than 55 percent of methane by volume.

In some embodiments, the at least one flow control mechanism comprises at least one valve, controlling the at least one flow control mechanism to increase the flow rate of landfill gas comprises controlling the at least one valve to open to a greater degree, and controlling the at least one flow control mechanism to decrease the flow rate of landfill gas comprises controlling the at least one valve to close to a greater degree.

Some embodiments provide for controlling extraction of landfill gas from a landfill via a gas extraction system, the gas extraction system comprising at least one vacuum source, well piping, and at least one well coupled to the at least one vacuum source through the well piping, the control system comprising: at least one sensor configured to measure one or more characteristics of landfill gas extracted from the landfill; at least one flow control mechanism disposed in the well piping and configured to control flow of the landfill gas through the well piping; and at least one processor configured to: obtain a measured concentration, obtained using the at least one sensor, of a first gas in landfill gas extracted from the landfill; determine whether the measured concentration of the first gas is either less than a first threshold concentration or greater than a second threshold concentration; when it is determined that the measured concentration is less than the first threshold concentration, control the at least one flow control mechanism to increase flow rate of landfill gas through the at least one flow control mechanism; and when it is determined that the concentration is greater than the second threshold concentration, control the at least one flow control mechanism to decrease the flow rate of landfill gas through the at least one flow control mechanism. In some embodiments, the first gas is oxygen or nitrogen.

Some embodiments provide for a control system for controlling extraction of landfill gas from a landfill via a gas extraction system, the gas extraction system comprising at least one vacuum source, well piping, and at least one well coupled to the at least one vacuum source through the well piping. The control system comprises: at least one sensor configured to measure one or more characteristics of landfill gas extracted from the landfill; at least one flow control mechanism disposed in well piping and configured to control flow of the landfill gas through the well piping; and at least one processor configured to perform: obtaining, based on at least one first measurement obtained using the at least one sensor, a first measure of energy content in a first portion of extracted landfill gas; controlling the at least one flow control mechanism to increase a flow rate of landfill gas being extracted from the landfill; after the controlling, obtaining, based on at least one second measurement obtained using the at least one sensor, a second measure of energy content in a second portion of extracted landfill gas; determining whether the second measure of energy content is greater than the first measure of energy content; when it is determined that the second measure of energy content is greater than the first measure of energy content, controlling the at least one flow control mechanism to increase the flow rate of landfill gas being extracted from the landfill; and when it is determined that the second measure of energy content is less than the first measure of energy content, controlling the at least one flow control mechanism to decrease the flow rate of landfill gas being extracted from the landfill.

5

In some embodiments, obtaining the first measure of energy content comprises: obtaining a measurement of a first concentration of methane in the first portion of extracted landfill gas and a measurement of a first flow rate of landfill gas through the at least one flow control mechanism; and determining the first measure of energy content based on the first concentration of methane and the first flow rate of landfill gas.

In some embodiments, obtaining the second measure of energy content comprises: obtaining a measurement of a second concentration of methane in the second portion of extracted landfill gas and a second flow rate of landfill gas through the at least one flow control mechanism; and determining the second measure of energy content based on the second concentration of methane and the second flow rate of landfill gas.

In some embodiments, the at least one processor is further configured to perform: after controlling the at least one flow control mechanism to increase the flow rate of landfill gas being extracted from the landfill, obtaining, based on at least one third measurement obtained using the at least one sensor, a third measure of energy content in a third portion of extracted landfill gas; determining whether the third measure of energy content is greater than the second measure of energy content; when it is determined that the third measure of energy content is greater than the second measure of energy content, controlling the at least one flow control mechanism to further increase the flow rate of landfill gas being extracted from the landfill; and when it is determined that the third measure of energy content is less than the second measure of energy content, controlling the at least one flow control mechanism to decrease the flow rate of landfill gas being extracted from the landfill.

In some embodiments, the at least one processor is further configured to perform: obtaining, from the at least one sensor, measured concentrations of methane, oxygen, and carbon dioxide in the first portion of extracted landfill gas; determining a balance gas concentration based on the measured concentrations of methane, oxygen, and carbon dioxide; controlling the at least one flow control mechanism to increase the flow rate of landfill gas being extracted from the landfill only when it is determined both that the second measure of energy content is greater than the first measure of energy content and the balance gas concentration is less than a balance gas threshold; and controlling the at least one flow control mechanism to decrease the flow rate of landfill gas being extracted from the landfill when it is determined that either the second measure of energy content is less than the first measure of energy content or the balance gas concentration is greater than the balance gas threshold. In some embodiments, the balance gas threshold is 2.5 percent by volume.

In some embodiments, the at least one processor is further configured to perform: obtaining, from the at least one sensor, a measured concentration of oxygen in the first portion of extracted landfill gas; controlling the at least one flow control mechanism to increase the flow rate of landfill gas being extracted from the landfill only when it is determined both that the second measure of energy content is greater than the first measure of energy content and the measured concentration of oxygen is less than an oxygen threshold; and controlling the at least one flow control mechanism to decrease the flow rate of landfill gas being extracted from the landfill when it is determined that either the second measure of energy content is less than the first measure of energy content or the measured concentration of

6

oxygen is greater than the oxygen threshold. In some embodiments, the oxygen threshold is 5% by volume.

In some embodiments, the at least one sensor is coupled to the at least one flow control mechanism. In some embodiments, the at least one sensor comprises a sensor configured to detect concentration of methane. In some embodiments, the at least one processor is located remotely from the at least one flow control mechanism and is configured to wirelessly communicate with the at least one flow control mechanism.

Some embodiments provide for an apparatus for controlling extraction of landfill gas from a landfill via a gas extraction system, the gas extraction system comprising at least one vacuum source, well piping, and at least one well coupled to the at least one vacuum source through the well piping, at least one flow control mechanism being coupled to the well piping and configured to control flow of landfill gas through the well piping. The apparatus comprises: at least one processor configured to perform: obtaining, based on at least one first measurement obtained using at least one sensor, a first measure of energy content in a first portion of extracted landfill gas; controlling the at least one flow control mechanism to increase a flow rate of landfill gas being extracted from the landfill; after the controlling, obtaining, based on at least one second measurement obtained using the at least one sensor, a second measure of energy content in a second portion of extracted landfill gas; determining whether the second measure of energy content is greater than the first measure of energy content; when it is determined that the second measure of energy content is greater than the first measure of energy content, controlling the at least one flow control mechanism to increase the flow rate of landfill gas being extracted from the landfill; and when it is determined that the second measure of energy content is less than the first measure of energy content, controlling the at least one flow control mechanism to decrease the flow rate of landfill gas being extracted from the landfill.

In some embodiments, obtaining the first measure of energy content comprises: obtaining a measurement of a first concentration of methane in the first portion of extracted landfill gas and a measurement of a first flow rate of landfill gas through the at least one flow control mechanism; and determining the first measure of energy content based on the first concentration of methane and the first flow rate of landfill gas.

In some embodiments, the at least one processor is further configured to perform: after controlling the at least one flow control mechanism to increase the flow rate of landfill gas being extracted from the landfill, obtaining, based on at least one third measurement obtained using the at least one sensor, a third measure of energy content in a third portion of extracted landfill gas; determining whether the third measure of energy content is greater than the second measure of energy content; when it is determined that the third measure of energy content is greater than the second measure of energy content, controlling the at least one flow control mechanism to further increase the flow rate of landfill gas being extracted from the landfill; and when it is determined that the third measure of energy content is less than the second measure of energy content, controlling the at least one flow control mechanism to decrease the flow rate of landfill gas being extracted from the landfill.

In some embodiments, the at least one processor is further configured to perform: obtaining, from the at least one sensor, measured concentrations of methane, oxygen, and carbon dioxide in the first portion of extracted landfill gas;

determining a balance gas concentration based on the measured concentrations of methane, oxygen, and carbon dioxide; controlling the at least one flow control mechanism to increase the flow rate of landfill gas being extracted from the landfill only when it is determined both that the second measure of energy content is greater than the first measure of energy content and the balance gas concentration is less than a balance gas threshold; and controlling the at least one flow control mechanism to decrease the flow rate of landfill gas being extracted from the landfill when it is determined that either the second measure of energy content is less than the first measure of energy content or the balance gas concentration is greater than the balance gas threshold.

Some embodiments provide for a method for controlling extraction of landfill gas from a landfill via a control system, the control system comprising at least one sensor and at least one flow control mechanism configured to control flow of landfill gas through well piping in a gas extraction system. The method comprises: obtaining, using the at least one sensor, a first measure of energy content in a first portion of extracted landfill gas; controlling the at least one flow control mechanism to increase a flow rate of landfill gas being extracted from the landfill; after the controlling, obtaining, using the at least one sensor, a second measure of energy content in a second portion of extracted landfill gas; determining whether the second measure of energy content is greater than the first measure of energy content; when it is determined that the second measure of energy content is greater than the first measure of energy content, controlling the at least one flow control mechanism to increase the flow rate of landfill gas being extracted from the landfill; and when it is determined that the second measure of energy content is less than the first measure of energy content, controlling the at least one flow control mechanism to decrease the flow rate of landfill gas being extracted from the landfill.

In some embodiments, obtaining the first measure of energy content comprises: measuring, using the at least one sensor, a first concentration of methane in the first portion of extracted landfill gas and a first flow rate of landfill gas through the at least one flow control mechanism; and determining the first measure of energy content based on the first concentration of methane and the first flow rate of landfill gas.

In some embodiments, obtaining the second measure of energy content comprises: measuring, using the at least one sensor, a second concentration of methane in the second portion of extracted landfill gas and a second flow rate of landfill gas through the at least one flow control mechanism; and determining the second measure of energy content based on the second concentration of methane and the second flow rate of landfill gas.

In some embodiments, the method further comprises: after controlling the at least one flow control mechanism to increase the flow rate of landfill gas being extracted from the landfill, obtaining, using the at least one sensor, a third measure of energy content in a third portion of extracted landfill gas; determining whether the third measure of energy content is greater than the second measure of energy content; when it is determined that the third measure of energy content is greater than the second measure of energy content, controlling the at least one flow control mechanism to further increase the flow rate of landfill gas being extracted from the landfill; and when it is determined that the third measure of energy content is less than the second measure of energy content, controlling the at least one flow

control mechanism to decrease the flow rate of landfill gas being extracted from the landfill.

In some embodiments, the method further comprises: measuring concentrations of methane, oxygen, and carbon dioxide in the first portion of extracted landfill gas; determining a balance gas concentration based on the measured concentrations of methane, oxygen, and carbon dioxide; controlling the at least one flow control mechanism to increase the flow rate of landfill gas being extracted from the landfill only when it is determined both that the second measure of energy content is greater than the first measure of energy content and the balance gas concentration is less than a balance gas threshold; and controlling the at least one flow control mechanism to decrease the flow rate of landfill gas being extracted from the landfill when it is determined that either the second measure of energy content is less than the first measure of energy content or the balance gas concentration is greater than the balance gas threshold.

Some embodiments provide for a control system for controlling extraction of landfill gas from a landfill via a gas extraction system, the gas extraction system comprising at least one vacuum source, well piping, and at least one well coupled to the at least one vacuum source through the well piping. The control system comprises: at least one atmospheric pressure sensor configured to measure atmospheric pressure; at least one flow control mechanism disposed in well piping and configured to control flow of the landfill gas through the well piping; and at least one processor configured to perform: obtaining a first atmospheric pressure value based on at least one first measurement obtained by the at least one atmospheric pressure sensor; obtaining a second atmospheric pressure value based on at least one second measurement obtained by the at least one atmospheric pressure sensor after obtaining the at least one first measurement; determining whether the second atmospheric pressure value is greater than the first atmospheric pressure value; when it is determined that the second atmospheric pressure value is greater than the first atmospheric pressure value, controlling the at least one flow control mechanism to decrease the flow rate of landfill gas being extracted from the landfill; and when it is determined that the second atmospheric pressure value is less than the first atmospheric pressure value, controlling the at least one flow control mechanism to increase the flow rate of landfill gas being extracted from the landfill.

In some embodiments, the at least one processor is further configured to perform: after controlling the at least one flow control mechanism to decrease the flow rate of landfill gas being extracted from the landfill, obtaining a third atmospheric pressure value based on at least one third measurement obtained by the at least one atmospheric pressure sensor after obtaining the at least one second measurement; determining whether the third atmospheric pressure value is greater than the second atmospheric pressure value; when it is determined that the third atmospheric pressure value is greater than the second atmospheric pressure value, controlling the at least one flow control mechanism to further decrease the flow rate of landfill gas being extracted from the landfill; and when it is determined that the third atmospheric pressure value is less than the second atmospheric pressure value, controlling the at least one flow control mechanism to increase the flow rate of landfill gas being extracted from the landfill.

In some embodiments, the at least one atmospheric pressure sensor is coupled to the at least one flow control mechanism.

In some embodiments, controlling the at least one flow control mechanism to decrease the flow rate of landfill gas being extracted from the landfill comprising decreasing the flow rate by an amount determined based on a difference between the second atmospheric pressure and the first atmospheric pressure; and wherein controlling the at least one flow control mechanism to increase the flow rate of landfill gas being extracted from the landfill comprising increasing the flow rate by an amount determined based on the difference between the second atmospheric pressure and the first atmospheric pressure.

In some embodiments, the at least one processor is further configured to perform: obtaining, from the at least one sensor, measured concentrations of methane, oxygen, and carbon dioxide in the first portion of extracted landfill gas; determining a balance gas concentration based on the measured concentrations of methane, oxygen, and carbon dioxide; controlling the at least one flow control mechanism to increase the flow rate of landfill gas being extracted from the landfill only when it is determined both that the second atmospheric pressure value is less than the first atmospheric pressure value and the balance gas concentration is less than a balance gas threshold; and controlling the at least one flow control mechanism to decrease the flow rate of landfill gas being extracted from the landfill when it is determined that either the second atmospheric pressure value is greater than the first atmospheric pressure value or the balance gas concentration is greater than the balance gas threshold. In some embodiments, the balance gas threshold is 2.5 percent by volume.

In some embodiments, the at least one processor is further configured to perform: obtaining, from the at least one sensor, a measured concentration of oxygen in the first portion of extracted landfill gas; controlling the at least one flow control mechanism to increase the flow rate of landfill gas being extracted from the landfill only when it is determined both that the second atmospheric pressure value is less than the first atmospheric pressure value and the measured concentration of oxygen is less than an oxygen threshold; and controlling the at least one flow control mechanism to decrease the flow rate of landfill gas being extracted from the landfill when it is determined that either the second atmospheric pressure value is greater than the first atmospheric pressure value or the measured concentration of oxygen is greater than the oxygen threshold. In some embodiments, the oxygen threshold is 5% by volume.

Some embodiments are directed to a method for controlling extraction of landfill gas from a landfill via a gas extraction system, the gas extraction system comprising at least one vacuum source, well piping, and at least one well coupled to the at least one vacuum source through the well piping. The method comprises: obtaining a first atmospheric pressure value based on at least one first measurement obtained by at least one atmospheric pressure sensor; obtaining a second atmospheric pressure value based on at least one second measurement obtained by the at least one atmospheric pressure sensor after obtaining the at least one first measurement; determining whether the second atmospheric pressure value is greater than the first atmospheric pressure value; when it is determined that the second atmospheric pressure value is greater than the first atmospheric pressure value, controlling at least one flow control mechanism to decrease flow rate of landfill gas being extracted from the landfill; and when it is determined that the second atmospheric pressure value is less than the first atmospheric

pressure value, controlling the at least one flow control mechanism to increase the flow rate of landfill gas being extracted from the landfill.

In some embodiments, after controlling the at least one flow control mechanism to decrease the flow rate of landfill gas being extracted from the landfill, obtaining a third atmospheric pressure value based on at least one third measurement obtained by the at least one atmospheric pressure sensor after obtaining the at least one second measurement; determining whether the third atmospheric pressure value is greater than the second atmospheric pressure value; when it is determined that the third atmospheric pressure value is greater than the second atmospheric pressure value, controlling the at least one flow control mechanism to further decrease the flow rate of landfill gas being extracted from the landfill; and when it is determined that the third atmospheric pressure value is less than the second atmospheric pressure value, controlling the at least one flow control mechanism to increase the flow rate of landfill gas being extracted from the landfill.

In some embodiments, controlling the at least one flow control mechanism to decrease the flow rate of landfill gas being extracted from the landfill comprising decreasing the flow rate by an amount determined based on a difference between the second atmospheric pressure and the first atmospheric pressure; and wherein controlling the at least one flow control mechanism to increase the flow rate of landfill gas being extracted from the landfill comprising increasing the flow rate by an amount determined based on the difference between the second atmospheric pressure and the first atmospheric pressure.

In some embodiments, obtaining, from the at least one sensor, measured concentrations of methane, oxygen, and carbon dioxide in the first portion of extracted landfill gas; determining a balance gas concentration based on the measured concentrations of methane, oxygen, and carbon dioxide; controlling the at least one flow control mechanism to increase the flow rate of landfill gas being extracted from the landfill only when it is determined both that the second atmospheric pressure value is less than the first atmospheric pressure value and the balance gas concentration is less than a balance gas threshold; and controlling the at least one flow control mechanism to decrease the flow rate of landfill gas being extracted from the landfill when it is determined that either the second atmospheric pressure value is greater than the first atmospheric pressure value or the balance gas concentration is greater than the balance gas threshold. In some embodiments, the balance gas threshold is 2.5 percent by volume.

In some embodiments, the method further comprises: obtaining, from the at least one sensor, a measured concentration of oxygen in the first portion of extracted landfill gas; controlling the at least one flow control mechanism to increase the flow rate of landfill gas being extracted from the landfill only when it is determined both that the second atmospheric pressure value is less than the first atmospheric pressure value and the measured concentration of oxygen is less than an oxygen threshold; and controlling the at least one flow control mechanism to decrease the flow rate of landfill gas being extracted from the landfill when it is determined that either the second atmospheric pressure value is greater than the first atmospheric pressure value or the measured concentration of oxygen is greater than the oxygen threshold. In some embodiments, the oxygen threshold is 5% by volume.

BRIEF DESCRIPTION OF THE DRAWINGS

Various aspects and embodiments will be described with reference to the following figures. It should be appreciated

11

that the figures are not necessarily drawn to scale. For purposes of clarity, not every component may be labeled in every drawing. In the drawings:

FIG. 1 is a sketch illustrating a landfill gas extraction system, according to some embodiments;

FIG. 2 is a block diagram illustrating an in situ control mechanism for landfill gas extraction, according to some embodiments;

FIG. 3 is a block diagram illustrating a gas analyzer of an in situ control mechanism for landfill gas extraction, according to some embodiments;

FIG. 4 is a block diagram illustrating a controller of an in situ control mechanism for landfill gas extraction, according to some embodiments;

FIG. 5 is a block diagram illustrating an example of a control system for controlling landfill gas extraction, according to some embodiments;

FIG. 6 is a block diagram illustrating an example of a feedback-based, predictive system for controlling landfill gas extraction, according to some embodiments;

FIG. 7 is a flow diagram illustrating another example of a feedback-based, predictive system for controlling landfill gas extraction, according to some embodiments;

FIG. 8 is a sketch of an example of zones of influence of wells in a landfill;

FIG. 9 is a sketch of another example of zones of influence of wells in a landfill;

FIG. 10 is a flowchart of an illustrative process for controlling extraction of landfill gas from a landfill through a gas extraction system, according to some embodiments;

FIG. 11 is a block diagram of an exemplary computer system in which aspects of the present disclosure may be implemented, according to some embodiments;

FIG. 12 is a flowchart of another illustrative process for controlling extraction of landfill gas through a gas extract system, according to some embodiments;

FIG. 13 is a flowchart of another illustrative process for controlling extraction of landfill gas through a gas extract system, according to some embodiments; and

FIG. 14 is a flowchart of another illustrative process for controlling extraction of landfill gas through a gas extract system, according to some embodiments.

DETAILED DESCRIPTION

Conventional techniques for controlling extraction of landfill gas are sometimes imprecise and inefficient. When such techniques are used, the gas extracted from a landfill may not have the desired properties (e.g., the energy content of the extracted gas may be lower than a desired energy content, the composition of the extracted gas may differ from a desired composition, etc.). In some cases, conventional techniques may even be counter-productive (e.g., such techniques may destroy some or all of the bacteria that convert decomposing waste into methane, thereby reducing the energy content of the landfill gas, or may result in emission of high levels of methane into the atmosphere, or worse yet, cause fires to break out deep within the landfill that are near impossible to extinguish).

The inventors have recognized and appreciated that controlling extraction of landfill gas based on a predictive model of the landfill may overcome at least some of the deficiencies of conventional landfill gas extraction techniques and result in an overall improvement in landfill management. For example, controlling extraction of landfill gas based on a predictive model of the landfill may increase precision and/or efficiency of the gas extraction process, thereby

12

facilitating extraction of landfill gas having desired properties. As another example, controlling extraction of landfill gas based on a predictive model of the landfill may reduce the landfill's environmental impact (e.g., by reducing the amount of harmful and/or foul-smelling gas emitted into the atmosphere). In some embodiments, the performance of the gas extraction system may be enhanced by adjusting the system's control settings in real time or at frequent intervals (e.g., hourly or daily). In some embodiments, the performance of the gas extraction system may be enhanced by training the predictive model based on differences between the landfill state predicted by the model and the landfill state actually observed. In some embodiments, the performance of the gas extraction system may be enhanced by modeling interactions between/among two or more wells. The inventors have recognized that adjustments in one well may lead to changes in the conditions of surrounding wells. Modeling interactions among two or more wells and the use of predictive modeling as described herein allows for automated control among multiple wells.

As described above, conventional techniques for controlling extraction of landfill gas may result in extraction of landfill gas having a composition that is different from a target composition. Accordingly, the inventors have developed techniques for controlling extraction of landfill gas such that the concentration of each of one or more constituent gases is in a respective target range. For example, some of the techniques described herein may be used to control extraction of landfill gas so that the concentration of methane in the landfill gas being extracted is within a target range (e.g., within 45-55% by volume).

In some embodiments, an iterative control technique may be used to control extraction of landfill gas such that the concentration of a particular gas (e.g., methane, oxygen, nitrogen, etc.) falls within a target range such that the concentration is above a first threshold concentration and below a second threshold concentration. The first and second threshold concentrations may define the target range, with the second threshold concentration being greater than (or equal to, in some embodiments) the first threshold concentration.

Accordingly, in some embodiments, a control system for controlling extraction of landfill gas may include: (A) at least one sensor configured to measure one or more characteristics of landfill gas extracted from the landfill; (B) at least one flow control mechanism disposed in well piping and configured to control flow of the landfill gas through the well piping; and (C) at least one processor configured to: (1) obtain a measured concentration, obtained using the at least one sensor, of a first gas in landfill gas extracted from the landfill; (2) determine whether the measured concentration of the first gas is either less than a first threshold concentration or greater than a second threshold concentration (e.g., whether a measured concentration of methane is less than 45% by volume or greater than 55% by volume); (3) when it is determined that the measured concentration is less than the first threshold concentration, control the at least one flow control mechanism to reduce (e.g., when the first gas is methane) or increase (e.g., when the first gas is oxygen or nitrogen) the flow rate of landfill gas through the at least one flow control mechanism; and (4) when it is determined that the concentration is greater than the second threshold concentration, control the at least one flow control mechanism to increase (e.g., when the first gas is methane) or to decrease (e.g., when the first gas is oxygen or nitrogen) the flow rate of landfill gas through the at least one flow control mechanism.

In some embodiments, when it is determined that the measured concentration is less than the first threshold concentration, the at least one processor is further configured to: after controlling the at least one flow control mechanism to reduce the flow rate of the landfill gas through the at least one flow control mechanism, (1) obtain a second measured concentration of the first gas in landfill gas extracted from the landfill; (2) determine whether the second measured concentration of the first gas is less than the first threshold concentration; and (3) when it is determined that the second measured concentration of the first gas is less than the first threshold concentration, control the at least one flow control mechanism to further reduce the flow rate of landfill gas through the at least one flow control mechanism.

Similarly, in some embodiments, when it is determined that the measured concentration is greater than the second threshold concentration, the at least one processor is further configured to: after controlling the at least one flow control mechanism to increase the flow rate of the landfill gas through the at least one flow control mechanism, (1) obtain a second measured concentration of the first gas in landfill gas extracted from the landfill; (2) determine whether the second measured concentration of the first gas is greater than the second threshold concentration; and (3) when it is determined that the second measured concentration of the first gas is greater than the second threshold concentration, control the at least one flow control mechanism to further increase the flow rate of landfill gas through the at least one flow control mechanism.

In some embodiments, the at least one flow control mechanism may include one or more valves. Examples of different types of valves are provided herein. In some embodiments, the at least one processor may be configured to control the at least one flow control mechanism to increase the flow rate of landfill gas at least in part by causing one or more valve(s) to open to a greater degree (e.g., to open by a specified increment or in any other suitable way). The at least one processor may be configured to control the at least one flow control mechanism to decrease the flow rate of landfill gas at least in part by causing one or more valves to close to a greater degree.

In some embodiments, the sensor(s) configured to measure landfill gas characteristics may include sensor(s) configured to measure partial pressure and/or concentrations of gases including, but not limited to, methane, oxygen, carbon dioxide, carbon monoxide, hydrogen sulfide, and nitrogen. Examples of such sensors are provided herein. In some embodiments, the sensor(s) may be co-located with the at least one flow control mechanism. For example, the sensor(s) and the flow control mechanism (e.g., a valve) may be part of an in situ control mechanism (e.g., in situ control mechanism 200 described with reference to FIG. 2).

In some embodiments, the at least one processor may be located remotely from the at least one flow control mechanism and may be configured to communicate with the at least one flow control mechanism using one or more wireless links, one or more wired links, or any suitable combination thereof.

Also as described above, conventional techniques for controlling extraction of landfill gas may result in extraction of landfill gas having energy content lower than a targeted energy content. Accordingly, the inventors have developed techniques for controlling extraction of landfill gas such that the energy content in the extracted gas is maximized or at least higher than the energy content would otherwise be with the application of conventional methods. The inventors appreciated that the product of the flow rate of extracted

landfill gas and the concentration of methane in the extracted landfill gas, which may indicate the rate of methane extraction, provides a good estimate of the energy content in the extracted landfill gas, as methane is a major source of energy extracted from landfills (e.g., energy may be generated by burning methane). Accordingly, some of the techniques developed by the inventors seek to achieve as high a product of methane concentration and flow rate as possible. In some embodiments, the techniques involve iteratively adjusting the flow rate of extracted landfill gas, based on flow rate and methane concentration measurements, so as to maximize the product of methane concentration and extracted landfill gas flow rate.

Accordingly, in some embodiments, a control system for controlling extraction of landfill gas may include: (A) at least one sensor configured to measure one or more characteristics of landfill gas extracted from the landfill; (B) at least one flow control mechanism disposed in well piping and configured to control flow of the landfill gas through the well piping; and (C) at least one processor configured to perform: (1) obtaining, based on at least one first measurement obtained using the at least one sensor, a first measure of energy content in a first portion of extracted landfill gas; (2) controlling the at least one flow control mechanism to increase a flow rate of landfill gas being extracted from the landfill; (3) after the controlling, (a) obtaining, based on at least one second measurement obtained using the at least one sensor, a second measure of energy content in a second portion of extracted landfill gas; determining whether the second measure of energy content is greater than the first measure of energy content; (b) when it is determined that the second measure of energy content is greater than the first measure of energy content, controlling the at least one flow control mechanism to increase the flow rate of landfill gas being extracted from the landfill; and (c) when it is determined that the second measure of energy content is less than the first measure of energy content, controlling the at least one flow control mechanism to decrease the flow rate of landfill gas being extracted from the landfill.

In some embodiments, obtaining the first measure of energy content comprises: obtaining a measurement of a first concentration of methane in the first portion of extracted landfill gas and a measurement of a first flow rate of landfill gas through the at least one flow control mechanism; and determining the first measure of energy content based on the first concentration of methane and the first flow rate of landfill gas. In some embodiments, obtaining the second measure of energy content comprises: obtaining a measurement of a second concentration of methane in the second portion of extracted landfill gas and a second flow rate of landfill gas through the at least one flow control mechanism; and determining the second measure of energy content based on the second concentration of methane and the second flow rate of landfill gas.

In some embodiments, the techniques for controlling the extraction of landfill gas may seek to maximize energy content in the landfill gas subject to one or more constraints on the concentration(s) of one or more other gases. For example, in some embodiments, the techniques for controlling landfill gas extraction may seek to maximize energy content in the landfill gas (or satisfy any other objective described herein) subject to an upper limit (e.g., 2.5%) on the concentration of nitrogen in the extracted gas. The concentration of nitrogen may be measured directly (e.g., using one or more sensors) or indirectly (e.g., by measuring concentrations of methane, oxygen, and carbon dioxide and estimating the concentration of nitrogen as the remaining

15

balance gas, for example, by estimating the concentration of nitrogen as 100%-concentration of methane—concentration of oxygen—concentration of methane). Limits on concentration of nitrogen may be imposed by landfill operators, operators of associated power generation facilities, local regulations, state regulations, and/or federal regulations.

Accordingly, in some embodiments, the at least one processor of the control system may be further configured to perform: (1) obtaining, from the at least one sensor, measured concentrations of methane, oxygen, and carbon dioxide in the first portion of extracted landfill gas; (2) determining a balance gas concentration based on the measured concentrations of methane, oxygen, and carbon dioxide; (3) controlling the at least one flow control mechanism to increase the flow rate of landfill gas being extracted from the landfill only when it is determined both that the second measure of energy content is greater than the first measure of energy content and the balance gas concentration is less than a balance gas threshold (e.g., 2.5% by volume); and (4) controlling the at least one flow control mechanism to decrease the flow rate of landfill gas being extracted from the landfill when it is determined that either the second measure of energy content is less than the first measure of energy content or the balance gas concentration is greater than the balance gas threshold.

As another example, in some embodiments, the techniques for controlling landfill gas extraction may seek to maximize energy content in the landfill gas (or satisfy any other objective described herein) subject to an upper limit (e.g., 5%) on the concentration of oxygen in the extracted gas. Limiting the amount of oxygen in the extracted landfill gas may be helpful because high amounts of oxygen may negatively influence how generators run, for example, by causing engine problems or contributing to fires deep within the landfill. Limits on the concentration of oxygen may be imposed by landfill operators, power utility operators, local regulations, state regulations, and/or federal regulations.

Accordingly, in some embodiments, the at least one processor of the control system may be further configured to perform: (1) obtaining, from the at least one sensor, a measured concentration of oxygen in the first portion of extracted landfill gas; (2) controlling the at least one flow control mechanism to increase the flow rate of landfill gas being extracted from the landfill only when it is determined both that the second measure of energy content is greater than the first measure of energy content and the measured concentration of oxygen is less than an oxygen threshold (e.g., 5% by volume); and (3) controlling the at least one flow control mechanism to decrease the flow rate of landfill gas being extracted from the landfill when it is determined that either the second measure of energy content is less than the first measure of energy content or the measured concentration of oxygen is greater than the oxygen threshold.

The inventors have also appreciated that changes in atmospheric pressure (e.g., due to weather changes) may cause changes in the composition of landfill gas. For example, the percentage of methane in landfill gas may increase during periods of declining atmospheric pressure and may decrease during periods of increasing atmospheric pressure. Accordingly, the inventors have developed techniques for controlling extraction of landfill gas based on atmospheric pressure measurements and changes among them. In some embodiments, the flow rate of landfill gas being extracted may be decreased in response to increasing atmospheric pressure and/or increased in response to decreasing atmospheric pressure.

16

Accordingly, in some embodiments, a control system for controlling extraction of landfill gas may include: (A) at least one atmospheric pressure sensor configured to measure atmospheric pressure; (B) at least one flow control mechanism disposed in well piping and configured to control flow of the landfill gas through the well piping; and (C) at least one processor configured to perform: (1) obtaining a first atmospheric pressure value based on at least one first measurement obtained by the at least one atmospheric pressure sensor; (2) obtaining a second atmospheric pressure value based on at least one second measurement obtained by the at least one atmospheric pressure sensor after obtaining the at least one first measurement; (3) determining whether the second atmospheric pressure value is greater than the first atmospheric pressure value; (4) when it is determined that the second atmospheric pressure value is greater than the first atmospheric pressure value, controlling the at least one flow control mechanism to decrease the flow rate of landfill gas being extracted from the landfill; and (5) when it is determined that the second atmospheric pressure value is less than the first atmospheric pressure value, controlling the at least one flow control mechanism to increase the flow rate of landfill gas being extracted from the landfill.

In some embodiments, after controlling the at least one flow control mechanism to decrease the flow rate of landfill gas being extracted from the landfill, the control system may further perform: (1) obtaining a third atmospheric pressure value based on at least one third measurement obtained by the at least one atmospheric pressure sensor after obtaining the at least one second measurement; (2) determining whether the third atmospheric pressure value is greater than the second atmospheric pressure value; (3) when it is determined that the third atmospheric pressure value is greater than the second atmospheric pressure value, controlling the at least one flow control mechanism to further decrease the flow rate of landfill gas being extracted from the landfill; and (4) when it is determined that the third atmospheric pressure value is less than the second atmospheric pressure value, controlling the at least one flow control mechanism to increase the flow rate of landfill gas being extracted from the landfill.

In some embodiments, the control system may be configured to change the flow rate of landfill gas being extracted by an amount determined based on the magnitude of change in the atmospheric pressure. For example, in response to a small relative change in atmospheric pressure, the control system may effect a small change in a valve or other flow control mechanism. By contrast, a valve or other flow control mechanism may be adjusted by a larger amount in response to a greater change in atmospheric pressure.

The aspects and embodiments described above, as well as additional aspects and embodiments, are described further below. These aspects and/or embodiments may be used individually, all together, or in any combination, as the application is not limited in this respect.

This disclosure describes devices and techniques for controlling landfill gas extraction. FIG. 1 illustrates a landfill gas extraction system 100, according to some embodiments. In some embodiments, a landfill gas extraction system may include one or more gas extraction wells 102 coupled to one or more wellheads 104. In some embodiments, each wellhead may be in fluid communication with a single, corresponding well. In some embodiments, the landfill gas extraction system 100 may include a gas extraction piping system 108 coupling the well(s) 102 to a gas collection system 110, and one or more In Situ Control Mechanisms 106 for controlling extraction of the landfill gas through the well(s)

102 and gas extraction piping system **108** to the gas collection system **110**. In some embodiments, gas collection system **110** may supply the extracted landfill gas to a gas-to-energy power plant **112**, which may convert the landfill gas into electrical power (e.g., by burning the landfill gas to turn the rotor of a generator or turbine). In some embodiments, the In Situ Control Mechanism(s) **106** may operate (e.g., individually, in concert with each other, and/or under the control of a controller) to improve gas extraction efficiency and/or to control the extraction process for a variety of desired outcomes including the delivery of the extracted gas into a natural gas pipeline system. In some embodiments the controller may be located remote from the In Situ Control Mechanisms. (Such a remotely located controller is not shown in FIG. 1, but is shown in FIG. 5 and discussed below.)

It should be appreciated that an In Situ Control Mechanism, as described herein, may control one or more parameters associated with a well, but is not a requirement that all other In Situ Control Mechanisms be physically located at that well. The In Situ Control Mechanism(s) may be disposed at any suitable location(s). In some embodiments, each In Situ Control Mechanism may be coupled to a single, corresponding well. In some embodiments, an In Situ Control Mechanism may be coupled to one or more wells. In some embodiments, some or all of the gas extraction wells in a landfill gas extraction system may be outfitted with an In Situ Control Mechanism **106**, as depicted in FIG. 1. In some embodiments, an In Situ Control Mechanism **106** may be positioned at or adjacent to one or more junction points in the gas extraction piping system **108** (header junctions, or leachate junctions, or others) to control the performance of an entire section of piping. In some embodiments, an In Situ Control Mechanism **106** may be positioned between the gas extraction well **102** and the gas collection system **110** such that gas coming from the well flows through the In Situ Control Mechanism **106** on its way to the rest of the collection system. The In Situ Control Mechanism **106** may be installed permanently in a suitable location (e.g., in, on, adjacent to, and/or near a well and/or gas extraction piping), or may be moved from location to location (e.g., well to well) over time.

A block diagram of some embodiments of an In Situ Control Mechanism **200** is presented in FIG. 2. In some embodiments, an In Situ Control Mechanism may include one or more mechanisms configured to control the flow of landfill gas from one or more wells to gas collection system **110** through gas extraction piping system **108**. Any suitable flow-control mechanism **206** may be used, including, without limitation, a valve (e.g., a solenoid valve, latching solenoid valve, pinch valve, ball valve, butterfly valve, ceramic disc valve, check valves, choke valves, diaphragm valves, gate valves, globe valves, knife valves, needle valves, pinch valve, piston valve, plug valve, poppet valve, spool valve, thermal expansion valve, pressure reducing valve, sampling valve, safety valve) and/or any other suitable type of flow-control mechanism.

In some embodiments, an In Situ Control Mechanism may include one or more actuation devices configured to control operation of the one or more flow-control mechanisms (e.g., to open a flow-control mechanism, close a flow-control mechanism, and/or adjust a setting of a flow-control mechanism). In some embodiments, an In Situ Control Mechanism may include a controller **204** configured to determine the settings to be applied to the one or more flow-control mechanisms (e.g., via the actuation devices), and/or configured to apply the settings to the one or more

flow-control mechanisms (e.g., via the actuation devices). In some embodiments, the settings to be applied to the one or more flow-control mechanisms (e.g., via the actuation devices) may be determined remotely and communicated to the In Situ Control Mechanism (e.g., by a remotely located controller) using any suitable communication technique, including, without limitation, wireless communication, wired communication, and/or power line communication.

In some embodiments, an In Situ Control Mechanism may include one or more sensor devices configured to sense one or more attributes associated with the landfill, including, without limitation, attributes of the landfill, attributes of the landfill gas, attributes of an area adjacent to the landfill, and/or attributes of the landfill's gas extraction system. In some embodiments, the In Situ Control Mechanism may include one or more actuation devices configured to control operation of the one or more sensor devices (e.g., to activate a sensor device, deactivate a sensor device, and/or collect data from the sensor device). In some embodiments, an In Situ Control Mechanism may include a controller **204** configured to determine the settings (e.g., control signals) to be applied to the one or more actuation and/or sensor devices, configured to apply the settings to the one or more actuation and/or sensor devices, and/or configured to collect data (e.g., measurements) obtained by the one or more sensor devices. In some embodiments, the settings to be applied to the one or more actuation and/or sensor devices may be determined remotely and communicated to the In Situ Control Mechanism (e.g., by a remotely located controller) using any suitable communication technique, including, without limitation, wireless communication, wired communication, and/or power line communication. In some embodiments, the In Situ Control Mechanism may communicate the one or more sensed attributes associated with the landfill (e.g., to a remotely located controller).

In some embodiments, the one or more sensor devices may include a Gas Analyzer **202**. In some embodiments, a Gas Analyzer **202** may collect a sample of landfill gas from the gas extraction piping **208** through an input port **210**, determine (e.g., compute, measure and/or sense) one or more characteristics of that gas, and/or report the one or more characteristics of the gas to a controller (e.g., local controller **204** and/or a remotely located controller). In some embodiments, the Gas Analyzer may determine the gas temperature, pressure, flow rate, humidity, density, gas composition (partial pressure or concentration of methane, oxygen, carbon dioxide, carbon monoxide, hydrogen sulfide, nitrogen and/or any other suitable gas) and/or any other characteristics of the landfill gas coming from the gas extraction well(s) upstream from the location where the In Situ Control Mechanism is installed.

Accordingly, in some embodiments, Gas Analyzer **202** may include sensors **205** configured to make such measurements. Sensors **205** may be of any suitable type. In some embodiments, sensors **205** may include a sensor configured to detect partial pressure and/or concentration of methane in landfill gas, a sensor configured to detect partial pressure and/or concentration of oxygen in landfill gas, a sensor configured to detect partial pressure and/or concentration of carbon dioxide in landfill gas, a sensor configured to detect partial pressure and/or concentration of carbon monoxide in landfill gas, a sensor configured to detect partial pressure and/or concentration of hydrogen sulfide in landfill gas, a sensor configured to detect partial pressure and/or concentration of nitrogen in landfill gas, and/or a sensor to detect partial pressure or concentration of any suitable gas in landfill gas.

In some embodiments, sensors **205** may include one or more non-dispersive infrared (NDIR) sensors, mid infrared optical sensors, catalytic beads, electrochemical sensors, pellistors, photoionization detectors, zirconium oxide sensors, thermal conductivity detectors, and/or any other sensing technology. Gas Analyzer **202** may be configured to measure flow rate by using one or more sensors **205** to determine a pressure differential across a venturi, orifice plate, or other restriction to the flow of gas; by pitot tube, mechanical flow meter, heated wire or thermal mass flow meter, and/or using any other suitable technique. Gas Analyzer **202** may be configured to measure temperature with a thermocouple, a negative or positive temperature coefficient resistor, capacitor, inductor, a semiconducting device, and/or using any other suitable technique.

In some embodiments, one or more external sensors **203** may be used to measure one or more characteristics of the ambient environment outside of Gas Analyzer **202** (e.g., outside of In Situ Control Mechanism **200**). The external sensor(s) **203** may provide obtained measurements to In Situ Control Mechanism **200** (e.g., to control **1204**) and/or to one or more computing devices located remotely from In Situ Control Mechanism **200** (e.g., by using a wireless link, a wired link, and/or any suitable combination of wireless and wired links). In some embodiments, external sensor(s) **203** may include one or more temperature sensors configured to measure temperature outside the control mechanism **200** (e.g., the ambient atmospheric temperature) and/or any other suitable location. In some embodiments, external sensor(s) **203** may include one or more atmospheric pressure sensor(s) configured to measure atmospheric pressure outside of the control mechanism **200** (e.g., ambient atmospheric pressure) and/or any other suitable location.

In some embodiments, the gas characteristics may be sampled once in each reading, or may be sampled many times and statistics about the distribution of values may be determined. The gas characteristics may be continuously determined, or they may be determined at discrete time intervals. In some embodiments, the Gas Analyzer may analyze gas in the main flow of landfill gas (e.g., within gas extraction piping **208**). In some embodiments, the Gas Analyzer may draw a small sample of gas into a separate chamber for analysis. In some embodiments, certain parameters (for example flow rate, pressure, temperature, humidity, and the like) may be measured in the main gas stream (e.g., may be measured by sensors disposed directly within extraction gas piping), and others may be analyzed in a separate chamber.

In order to improve measurement accuracy, measurement resolution, measurement repeatability, sensor lifetime, and/or sensor reliability, a sample of gas from the well may be pre-treated before analysis, which pre-treatment may include heating, cooling, drying, and/or any other suitable pre-treatment processing (e.g., through forced condensation, passing through a desiccant, or any other suitable technique), filtered to remove particles, filtered to remove contaminants or other chemicals, pressurized, de-pressurized, and/or otherwise treated before being analyzed. After analyzing and reporting gas characteristics (e.g., to local controller **204** and/or to a remotely located controller), the Gas Analyzer may purge the gas sample from the chamber and vent it to the atmosphere, or return it to the main gas flow. In some embodiments, the analyzed gas sample may be purged prior to reporting the gas characteristics to a controller.

One embodiment of a Gas Analyzer **300** utilizing pre-treatment mechanisms as described above is illustrated in

FIG. **3**. In the Gas Analyzer **300** of FIG. **3** and other arrangements not explicitly described here, a small sample of landfill gas may be taken into the Gas Analyzer through input port **310** (e.g., from the main flow of landfill gas in gas extraction piping **308** between the gas extraction well and the gas collection system) and sent through a drying element **312** and a series of one or more flow-control mechanisms (e.g., valves) before entering the gas analysis sample chamber **302**. In some embodiments, at the beginning and end of a gas measurement cycle, both valves **316** and **318** are in the closed state. Valve **316** may be opened and the pump **314** may be turned on in order to draw a sample of landfill gas through the drying element **312** and into the gas analysis sample chamber **302** for analysis. At the end of a measurement cycle, the pump **314** may be turned off and valve **316** may be closed to stop the flow of gas into the sample chamber **302**. In some embodiments, the gas sample may be purged from sample chamber **302** by opening valve **318**. Under typical operating conditions, the gas collection system and gas extraction well(s) may be at negative pressure (i.e., operating under vacuum conditions) relative to atmospheric pressure, such that opening valve **318** may pull ambient air through the Gas Analyzer **300** to purge the sample chamber **302** of landfill gas. In some embodiments, one or more valves of Gas Analyzer **300** may be toggled and a pump (e.g., pump **314**) may be activated to force purge sample chamber **302** with ambient air. Forced purging may be beneficial when one or more wells upstream from Gas Analyzer **300** are operating under positive pressure relative to atmospheric pressure (e.g., because the gas extraction system's vacuum is off-line or because the one or more wells are under-extracted). For example, forced purging may be an effective technique for clearing condensate from the Gas Analyzer's tubes and/or for clearing sample gas from sample chamber **302** in cases where the upstream well(s) are operating under positive pressure. (Although not shown, one of ordinary skill in the art would understand that a valve may be placed between pump **314** and input port **310**, and that sample chamber **302** may be force purged by closing this valve and by opening valves between pump **314** and atmospheric port **320**.) After purging the gas sample from Gas Analyzer **300**, valve **318** may be closed to stop atmospheric air from leaking into the gas collection system.

Configurations that perform a similar function to the embodiment of FIG. **3** and which, while not described explicitly here, are within the scope of the present disclosure. For example, the pump **314** may be placed after valve **316**, or after the gas analyzer sample chamber **302**, or the drying element **312** may be moved to a different point in the flow path. Similarly, the functionality provided by valve **316** and the pump **315** may be consolidated by the use of a sealed pump design (e.g., a peristaltic pump). An additional valve may be added after the gas analyzer (e.g., in a port **322** coupling the sample chamber **302** to the gas extraction piping **308**), for additional control or to prevent backflow into the sample chamber. Additionally, the Gas Analyzer may be outfitted with additional modules to provide other pre-treatment of the gas in addition to or in alternative to drying (for example, particle filtering, removal or deactivation of hydrogen sulfide or other chemicals, etc.).

In some embodiments, the flow-control mechanism(s) of Gas Analyzer **300** may include solenoid valves, latching solenoid valves, pinch valves, ball valves, butterfly valves, ceramic disc valves, check valves, choke valves, diaphragm valves, gate valves, globe valves, knife valves, needle valves, pinch valves, piston valves, plug valves, poppet valves, spool valves, thermal expansion valves, pressure

reducing valves, sampling valves, safety valves, and/or any other type of flow-control mechanism.

In some embodiments, the Gas Analyzer may utilize non-dispersive infrared (NDIR) sensors, catalytic beads, electrochemical sensors, pellistors, photoionization detectors, zirconium oxide sensors, thermal conductivity detectors, and/or any other sensing technology. Flow rate may be measured by a pressure differential across a venturi, orifice plate, or other restriction to the flow of gas; by pitot tube, mechanical flow meter, heated wire or thermal mass flow meter, and/or using any other suitable technique. Temperature may be measured with a thermocouple, a negative or positive temperature coefficient resistor, capacitor, inductor, a semiconducting device, and/or using any other suitable technique. Temperature may be measured inside the well, in the main gas flow from the well to the collection system, inside a sampling chamber, outside of the control mechanism (e.g., ambient atmospheric temperature), and/or at any other suitable point. Atmospheric pressure may be measured outside of the control mechanism (e.g., ambient atmospheric pressure) and/or at any other suitable location. Temperature, pressure, gas composition, and/or other readings from different points within the gas extraction well, the In Situ Control Mechanism, and/or the gas collection system may be used in conjunction with each other to obtain a more complete analysis of the operating state of the landfill gas collection system.

FIG. 4 shows a controller of an In Situ Control Mechanism, according to some embodiments. In some embodiments, the Controller 400 of an In Situ Control Mechanism may include functional blocks as indicated in FIG. 4. In the embodiment of FIG. 4, the Controller 400 includes a Signal Processing Module 418, a Data Storage Device 420, a Real Time Clock Module 422, a Wireless Communication Module 416, and/or a Flow-Control Mechanism Actuator 412 (e.g., valve drive buffer) for providing a control signal to the Flow-Control Mechanism 406. Other embodiments may use only parts of this implementation, while others may add additional functional modules for supporting functions. For example, in some embodiments, the Controller of an In Situ Control Mechanism may be implemented using a one or more processors as described below.

In some embodiments, the Controller 400 of the In Situ Control Mechanism may use data about environmental conditions in and around the landfill (e.g., in and around the gas extraction well upon which the In Situ Control Mechanism is installed) to determine the settings to be applied to the flow-control mechanism. In some embodiments, a remotely-located controller may use the environmental data to determine the settings to be applied to the flow-control mechanism, and may communicate those settings to the In Situ Control Mechanism. The environmental data may include information about parameters including, but not limited to atmospheric pressure, ambient temperature, wind direction, wind speed, precipitation, and/or any other suitable environmental parameter. The In Situ Control Mechanism may use information from one or more other sensors placed in or around the gas extraction well, including, without limitation, atmospheric pressure sensor(s) (sometimes termed barometric pressure sensor(s), subsurface temperature probe(s), subsurface moisture probe(s), collection well liquid level measurement sensors, measurements of the chemical and/or biological processes (for example, pH measurements, tests for the presence of other chemicals or biological by-products, etc.) occurring in the section of waste that is in the vicinity of the gas extraction well, and/or any other suitable information. In embodiments, where one

or more atmospheric pressure sensors are used, the atmospheric pressure sensors may be of any suitable type, as aspects of the technology described herein are not limited in this respect.

In some embodiments, the Controller 400 of the In Situ Control Mechanism may use the current data about the gas characteristics and/or environmental parameters, and/or it may incorporate historical data about the performance of the gas extraction well to determine the settings to be applied to the Flow-Control Mechanism. In some embodiments, a remotely-located controller may use the gas data, environmental data, and/or historical data to determine the settings to be applied to the flow-control mechanism, and may communicate those settings to the In Situ Control Mechanism. The In Situ Control Mechanism may, in some embodiments, incorporate past and/or present data about gas production into one or more predictive models and may use the predictive model(s) to determine the modulation of the Flow-Control Mechanism state.

In some embodiments, the Signal Processing Module 418 takes gas characteristics data from the Gas Analyzer 402 and converts it into a form that can be interpreted by the Computing Core 414. This may involve a interpreting a serial digital data stream via a serial parsing algorithm, a parallel parsing algorithm, analog signal processing (for example, performing functions on analog signals like filtering, adding or removing gain, frequency shifting, adding or removing offsets, mixing or modulating, and the like), digital signal processing (digital filtering, convolution, frequency shifting, mixing, modulating, and the like), analog-to-digital or digital-to-analog conversion, and/or any other suitable signal processing technique that will be recognized by one of ordinary skill in the art.

In some embodiments, the Data Storage Device 420 may include any volatile and/or non-volatile memory element, including but not limited to flash memory, SD card, micro SD card, USB drive, SRAM, DRAM, RDRAM, disk drive, cassette drive, floppy disk, cloud storage backup, and/or any other suitable computer-readable storage medium. The Data Storage Device may serve as a data recovery backup, or it may hold data for temporary intervals during the calculation of control signals. The Data Storage Device may be removable, or it may be fixed.

In some embodiments, the Real Time Clock Module 422 may include any circuit and/or functional module that allows the Computing Core to associate the results of a gas analyzer reading with a date or time (e.g., a unique date or time stamp).

In some embodiments, the Wireless Communication Module 416 may include, but is not limited to: a radio transceiver (AM or FM, or any other type), television, UHF, or VHF transceiver, Wi-Fi and/or other 2.4 GHz communication module, cellular chipset (2G, 3G, 4G, LTE, GSM, CDMA, etc.), GPS transmitter, satellite communication system, and/or any other suitable wireless communication device. The Wireless Communication Module may have an integrated antenna, and/or an external one. The Wireless Communication Module may transmit, receive, and/or have two-way communication with a central source and/or be capable of point-to-point communication with another module. In some embodiments, the Wireless Communication Module may include a 2G chipset that allows the In Situ Control Mechanism to connect to existing telecommunications infrastructure.

In some embodiments, the Computing Core 414 may include, but is not limited to: a microprocessor, a computer, a microcontroller, a field programmable gate array (FPGA),

an application specific integrated circuit (ASIC), a digital signal processor (DSP), an analog computer or control system, and/or any other suitable computing device. In some embodiments, the Computing Core may have integrated Analog-to-Digital converters, pulse width modulation detectors, edge detectors, frequency detectors, phase detectors, amplitude detectors, demodulators, RMS-DC converters, rectifiers, and/or other suitable signal processing modules.

In some embodiments, the Flow-Control Mechanism Actuator **412** (e.g., a valve drive buffer) may include any circuit that can translate commands from the Computing Core into an appropriate actuation signal (e.g., driving signal) for the Flow-Control Mechanism **406**. In some embodiments, translating commands from the Computing Core may comprise analog signal processing on a voltage (for example, adding/removing gain, offset, filtering, mixing, etc.), analog signal processing on a current control (for example, conversion to a 4-20 mA control loop, increasing output current drive capability), pulse width modulating a digital signal, digital signal processing, digital-to-analog or analog-to-digital conversion, and/or any other suitable techniques.

In some embodiments, the Flow-Control Mechanism **406** of the In Situ Control Mechanism may comprise a solenoid valve, latching solenoid valve, pinch valve, ball valve, butterfly valve, ceramic disc valve, check valve, choke valve, diaphragm valve, gate valve, globe valve, knife valve, needle valve, pinch valve, piston valve, plug valve, poppet valve, spool valve, thermal expansion valve, pressure reducing valve, sampling valve, safety valve, and/or any other suitable type of flow-control mechanism. The Flow-Control Mechanism may have two or more discrete operating states, or it may provide continuous adjustment of the operating state (e.g., valve position) for fine control of operating pressure, temperature, flow, gas characteristics, etc.

In some embodiments, the In-Situ Control Mechanism may modulate the Flow-Control Mechanism to achieve any number of desired outcomes, or it may determine the state of the Flow-Control Mechanism based on an optimization and/or prioritization of multiple output parameters. Some examples of control schemes might include, but are not limited to:

Modulation of the flow-control mechanism to maintain and/or obtain a constant vacuum pressure in the gas extraction well (in spite of varying atmospheric pressure, temperature, and/or varying rates of gas generation, etc.);

Modulation of the flow-control mechanism to maintain and/or obtain a constant flow rate of landfill gas from the extraction well;

Modulation of the flow-control mechanism to control the flow rate of landfill gas from the extraction well;

Modulation of the flow-control mechanism to maintain and/or obtain a constant percentage of any of the constituent gases (including but not limited to methane, carbon dioxide, oxygen, nitrogen, etc.) in the landfill gas coming from the extraction well;

Modulation of the flow-control mechanism to control (e.g., increase or decrease) the concentration of any of the constituent gases in the landfill gas coming from the extraction well;

Modulation of the flow-control mechanism to control (e.g., increase and/or decrease) the energy content of the landfill gas (e.g., increase the total quantity of methane extracted in a given period of time, etc.) coming from the extraction well;

Modulation of the flow-control mechanism to control the total volume of the landfill gas (e.g., increase the total quantity of landfill gas extracted in a given period of time, etc.) coming from the extraction well;

Modulation of the flow-control mechanism to increase the rate of extraction during periods of increased energy demand (e.g., increasing generation during the peaks of real time, hourly, daily, weekly, monthly, or seasonal electricity prices);

Modulation of the flow-control mechanism to decrease the rate of extraction during periods of reduced energy demand (e.g., reducing generation during the lows of real time, hourly, daily, weekly, monthly, or seasonal electricity prices);

Modulation of the flow-control mechanism to control (e.g., maintain, improve, and/or establish) the long term stability of the biochemical decomposition processes (aerobic or anaerobic digestion, etc.) occurring within the section of waste that is in the vicinity of the gas extraction well;

Modulation of the flow-control mechanism to control (e.g., increase and/or decrease) the rates of decomposition occurring within the section of waste that is in the vicinity of the gas extraction well;

Modulation of the flow-control mechanism to match the operating parameters or limitations of the gas collection system;

Modulation of the flow-control mechanism to prevent or extinguish underground fires or other potentially dangerous events occurring within the section of waste that is in the vicinity of the gas extraction well;

Modulation of the flow-control mechanism to mitigate emission of odors;

Modulation of the flow-control mechanism to control (e.g., reduce) emissions of landfill gas or components of landfill gas (H₂S, methane, etc.) in the vicinity of the gas extraction wells;

Modulation of the flow-control mechanism to control (e.g., reduce) gas losses into the atmosphere;

Modulation of the flow-control mechanism to control (e.g., maintain, improve, and/or establish) compliance of the gas extraction system with local, state and/or federal regulations; and/or

Modulation of the flow-control mechanism to reduce damage to an engine, turbine, or other energy generation equipment from contaminants emanating from the vicinity of a gas extraction well.

In some embodiments, some or all of the gas extraction wells and/or piping junction points in a landfill may be outfitted with In-Situ Control Mechanisms to form at least a portion of a control system for controlling gas extraction across the entire landfill or a set of wells within the landfill (the "landfill under control"). One embodiment of such a control system is shown in FIG. 5.

FIG. 5 shows a control system **500** for a landfill gas extraction system, according to some embodiments. In some embodiments, control system **500** may include one or more In Situ Control Mechanisms **506** configured to control gas flow in a gas extraction system in a landfill under control **520**. In some embodiments, control system **500** may include a controller module **504** for modeling aspects of the landfill under control, for communicating with the In Situ Control Mechanisms, and/or for controlling the operation of the In Situ Control mechanisms. In some embodiments, controller module **504** may be implemented on one or more computers located remotely from the In Situ Control Mechanisms (e.g., on a centralized computer or in a distributed computing

environment). In some embodiments, controller module **504** may execute a multitasking program with different tasks configured to control the operation of different In Situ Control Mechanisms and/or to communicate with different In Situ Control Mechanisms. In some embodiments, the functionality described below as being performed by controller module **504** may be performed by one or more In Situ Control Mechanisms **506** individually or in concert. In some embodiments, controller module **504** may communicate with the In Situ Control Mechanisms through a device manager **502**. In some embodiments, controller module **504** be in communication with a user interface **508** and/or a database **510**.

In some embodiments, some or all of these In-Situ Control Mechanisms **506** may contain wireless communication capability to establish Wireless Data Links to controller module **504** (e.g., through device manager **502**). Wireless Data Links may operate in either a unidirectional or a bidirectional manner. The network of Wireless Data Links may be implemented using a mesh network, a star network, point-to-point communication, and/or any other suitable communication technique. In-Situ Control Mechanisms **506** may send information over a communication network to a distributed network (e.g., the “cloud”). Communication may occur through a system including but not limited to a cell phone network (2G, 3G, 4G LTE, GSM, CDMA 1×RTT, etc.), a satellite network, a local area network connected to the Internet, etc. In some embodiments, the In Situ Control Mechanisms **506** may communicate with each other and/or with controller module **504** using wired data links, Wireless Data Links, power line communication, and/or any other suitable communication technique.

Information sent (e.g., over Wireless Data Links) by the In-Situ Control Mechanisms **506** may include but is not limited to sensor data, environmental data, failure notifications, status notifications, calibration notifications, etc. Information received by the In-Situ Control Mechanisms may include but is not limited to: raw or pre-processed data about the current or past operational state of other landfill gas extraction wells in the landfill under control, command and control signals, desired operating states, predictive calculations about the operating state of the well upon which the In-Situ Control Mechanism is installed or other landfill gas extraction wells, failure notifications, status notifications, calibration changes, software and/or firmware updates, flow-control mechanism settings, sensor settings, and/or other information.

In some embodiments, In Situ Control Mechanisms **506** in the landfill under control **520** may communicate with a Device Manager **502**, as indicated in FIG. 5, and/or they may communicate directly with each other. The Device Manager **502** may include software operating on a computer in the landfill under control, or operating on a remote server, and/or operating on a distributed computing network (“the cloud”) in one or multiple locations. In some embodiments, Device Manager **502** may be implemented using a computing system **1100** as described below. The Device Manager **502** may collect information from alternate sources—including but not limited to environmental data, past history about electrical power demand and/or prices, forecasts about future electrical power demand and/or prices, etc. In some embodiments, the Device Manager **502** may be in constant communication with the In-Situ Control Mechanisms **506**, or it may communicate asynchronously with the In-Situ Control Mechanisms. In some embodiments, the Device Manager **502** may hold a queue of commands or other information to be passed to the In Situ Control

Mechanism(s) **506** upon the establishment of a data link (e.g., re-establishment of a Wireless Data Link).

In some embodiments, the Device Manager **502** may associate a set of In-Situ Control Mechanisms **506** into a single landfill under control **520**, and it may add or remove additional In-Situ Control Mechanisms **506** to that landfill under control **520** to accommodate the addition or removal of In-Situ Control Mechanisms from the site. The Device Manager **502** may contain or perform authentication or encryption procedures upon establishing a data link (e.g., a Wireless Data Link) with an In-Situ Control Mechanism. Security protocols implemented by the Device Manager may include, but are not limited to: internet key exchange, IPsec, Kerberos, point to point protocols, transport layer security (TLS), HTTPS, SSH, SHTTP, etc.

In some embodiments, the Device Manager **502** may communicate with a controller module **504**. The controller module **504** may include one or more applications running on a distributed computational platform (e.g., a “cloud server”), a traditional server infrastructure, a computing system **1100** as described below, and/or other suitable computer architecture recognized by those of ordinary skill in the art. It should be appreciated, however, that control functions as described herein may be distributed across device manager **502**, controller module **504** and/or any other computing components in any suitable way. Similarly, control functions may be distributed across processors (e.g., controllers) associated with one or more In Situ Control Mechanisms.

In some embodiments, control system **500** may be configured to predict future states of the landfill under control, and/or may be configured to use such predictions to control the operation of a gas extraction system associated with the landfill under control. In some embodiments, using one or more predictions regarding the future state(s) of the landfill under control to control the operation of the gas extraction system may improve the performance (e.g., efficiency) of the gas extraction system, relative to the performance of conventional gas extraction systems.

FIG. 6 shows a feedback-based, predictive control system **600**, which may be implemented by some embodiments of control system **500** to control the operation of gas extraction system associated with a landfill under control **620**. Feedback-based, predictive control system **600** may include a predictive landfill state estimator **602** for predicting one or more future states of a landfill under control **620**, and one or more control modules **605** for controlling the operation of a gas extraction system (e.g., by controlling the operation of one or more in situ control mechanisms **606** in the landfill under control **620**) based, at least in part, on the predicted future state(s) of the landfill under control **620**. The predictive landfill state estimator **602** and/or control module(s) **605** may be implemented by controller **504** and/or by controller(s) **204** of in situ control mechanism(s) **606**, with the functions of the predictive landfill state estimator **602** and the control module(s) **605** being divided among the controller **504** and the in situ control mechanism(s) **606** in any suitable way.

In some embodiments, predictive landfill state estimator **602** may include one or more predictive models of the landfill under control **620**. Each model may relate a set of parameters defining a current state of the landfill to one or more sets of parameters, defining one or more future states of the landfill. Any suitable modeling techniques may be used to develop such a model, which may be implemented using software programming on a computing device. Different models may be selected depending on parameters

defining input or output states. For example, different models may be used to predict parameters such as odor, energy production, or gas production.

In some embodiments, predictive landfill state estimator **602** may use a predictive model to predict a future state **638** of at least one attribute of a landfill under control, based on a model of the landfill under control and/or based on suitable input data. In some embodiments, the predictive landfill state estimator **602** may apply mathematical models to present and/or past data about the landfill under control (e.g., data about landfill gas production and/or extraction) to estimate a future state of the landfill under control (e.g., the future LFG production and/or extraction). Suitable input data for the predictive landfill state estimator **602** may include the current state **634** of flow-control mechanisms in the gas extraction system of the landfill under control (e.g., the operating states of valves in the gas extraction system), the current state **635** of the landfill under control (e.g., the characteristics of the landfill's gas, as determined using the in situ control mechanism's sensors), and/or environmental data **636** (e.g., data describing environmental conditions in and/or around the landfill, as determined by the in situ control mechanism's sensors or any other suitable data source). In some embodiments, the predicted future state may correspond to a specified date and/or time in the future.

In some embodiments, control module(s) **605** may control the operation of the gas extraction system based, at least in part, on the predicted future state **638** of the landfill under control. For example, control module(s) **605** may determine the values of control parameters **644** ("control settings") for the in situ control mechanism(s) **606** based on the predicted future state **638**. In embodiments where the control module(s) are not implemented by the in situ control mechanism(s) **606**, the control module(s) may send the determined values of the control parameters **644** to the in situ control mechanism(s) **606**. The in situ control mechanism(s) **606** may apply the control parameters to flow-control mechanisms in the gas extraction system (e.g., valves) to control the operation of the gas extraction system (e.g., the in situ control mechanism(s) **606** may adjust the gas extraction rate from the landfill under control **620** by modulating the positions of valves in the gas extraction system). As another example, control module(s) **605** may determine changes in the current values of control parameters **644** for the in situ control mechanism(s) **606** based on the predicted future state, and the in situ control mechanism(s) may change the control parameters of the flow-control mechanisms by the determined amounts.

In some embodiments, control module(s) **605** may determine the values (or changes in the values) of the control parameters **644** based on predicted future state **638** and/or based on other input data. For example, control module(s) **605** may determine a difference between a predicted and a desired future state, determine control parameters **644** to reduce that difference, and apply the control parameters to in situ control mechanism(s) **606** (e.g., by controlling an in situ control mechanism to adjust a valve or other actuator in accordance with the control parameters) to reduce that difference. The input data may include the current state **634** of flow-control mechanisms in the gas extraction system, the current state **635** of the landfill under control, design constraints **640**, and/or set point(s) **642**.

In some embodiments, design constraints **640** may include physical limitations of the landfill gas extraction system including, but not limited to: operating ranges of the flow-control mechanisms (e.g., available valve movement range), accuracy of the operating states of the flow-control

mechanisms (e.g., valve position accuracy), resolution of the operating states of the flow-control mechanisms (e.g., valve position resolution), gas extraction system vacuum pressure, measurement ranges of the in situ control mechanism(s)' sensors, power generation capacity at a landfill gas to energy power plant, total flow rate restrictions of the landfill gas extraction system, and/or any other suitable limitations. In some embodiments, design constraints **640** may be hard-coded values, and/or they may be specific to particular well, collection of wells, landfills, or geographic regions. In some embodiments, design constraints may be re-programmed by a human operator through a software or hardware interface (for example, a web application, a mobile application, through manual or over the air firmware upgrades, etc.). Control module **605** may use these design constraints, for example, in selecting values of control parameters such that the design constraints are not violated.

In some embodiments, the set point(s) **642** may indicate a desired operating state for the gas extraction system (e.g., an energy content extraction rate, gas flow rate, gas composition, and/or other suitable characteristic for the gas extraction system, for individual wells, and/or for individual in situ control mechanisms). In some embodiments, the control module(s) **605** may determine the values of the control parameters **644** (e.g., using a mathematical model or models) to maintain the state of the landfill under control equal to, less than, or greater than the set point. In this manner, the control module(s) **605** may use the state of the landfill (e.g., the current and/or predicted states of the landfill) to control the gas extraction system to operate in a desired operating state (as indicated by the set point(s)), without violating the system's design constraints. The set point(s) may be hard coded into the system, may be user adjustable via a software interface (e.g., web or mobile application), and/or may be set and/or adjusted using any other suitable technique.

Predictive landfill state estimator **602** may obtain its input data using any suitable technique. In some embodiments, predictive landfill state estimator **602** may obtain the current state **634** of the flow-control mechanisms in the gas extraction system and/or the current state **635** of the landfill from the in situ control mechanism(s) **606** (e.g., by querying the in situ control mechanism(s) **606** via the Device Manager).

FIG. 7 shows a feedback-based, predictive control system **700**, which may be implemented by some embodiments of control system **500** to control the operation of gas extraction system associated with a landfill under control **620**. In some embodiments, feedback-based, predictive control system **700** may be adaptive ("self-learning"). In some embodiments of the adaptive control system **700**, the predictive landfill state estimator **702** may compare the current state **635** of the landfill (e.g., the current state of landfill gas production) to the previously predicted state **738** of the landfill, and modify parameters in the state estimator's state estimation model or models to make the predicted states more closely match the actual measured states. In this manner, the accuracy of the state estimator's predictions may improve over time, and/or the state estimator may adapt to changing conditions over time, so that the state estimator's predictions remain accurate even as the conditions in and around the landfill change.

In some embodiments, adaptive control system **700** may include a predictive landfill state estimator **702**, a state comparator **750**, and a model adapter **752**. In some embodiments, predictive landfill state estimator **702** may include one or more predictive models of the landfill under control **620**, and may apply the predictive model(s) to suitable input

data (e.g., current state **634** of flow-control mechanisms, current state **635** of the landfill under control, and/or environmental data **636**) to predict one or more future states **738** of the landfill under control.

In some embodiments, state comparator **750** and model adapter **752** may adapt the state estimator's predictive model(s) to improve the accuracy of the predictive model(s). In some embodiments, state comparator **750** may compare a predicted future state **738** of the landfill and a subsequently measured current state **635** of the landfill. In some embodiments, model adapter **752** may use the difference **760** between the predicted state and the actual state of the landfill to determine modified parameter values **762** for one or more parameters in the state estimator's predictive model(s), to improve (e.g., continually improve) the accuracy of those models.

In some embodiments, the modified parameter values **762** output by the model adapter **752** may act to reduce the difference between the predicted future state of the landfill (if it were recalculated using the modified parameter values) and the actual current state of the landfill (e.g., to reduce the difference to zero). In some embodiments, the modified parameter values **762** may act to reduce (e.g., minimize) another error metric (e.g., to reduce the mean error, the sum of the squares of errors for one or more (e.g., all) previous predictions, and/or any other metric). The modified parameter values **762** may be output after every cycle of the feedback loop, or they may be selectively applied. In some embodiments, the model adapter **752** may detect anomalous data points in the measured current state **635** of the landfill (as may happen, e.g., during natural events (e.g., extreme weather), during equipment malfunction (e.g., sensor or control valve failures), when the operations of the Landfill Gas to Energy plant are suddenly disrupted, etc.). In some embodiments, control system **700** may not apply modified parameter values **762** to the predictive model(s) of the predictive landfill state estimator **702** during such events.

In some embodiments, adaptive control system **700** may also include one or more control module(s) **605** and one or more in situ control mechanism(s) **606**, which may control the operation of a gas extraction system associated with landfill under control **620**. Some embodiments of control module(s) **605** and in situ control mechanism(s) **606** are described above with reference to FIG. 6. For brevity, these descriptions are not repeated here.

Returning to the control system **500** shown in FIG. 5, in some embodiments the controller module **504** may be in communication with a database **510** and/or a user interface **508**. In some embodiments, the database **510** may be implemented on a centralized storage mechanism (hard drive, disk drive, or some other non-volatile memory), or it may reside on a distributed storage mechanism (e.g., a cloud server, or any other suitable distributed storage device). The database **510** may serve as a long term archive of historical data and/or past predictions from the predictive landfill state estimator **602**, and/or may store past design constraints **640**, current design constraints **640**, past set points **642**, current set points **642**, any parameters from the state estimator's predictive model(s), any parameters from the flow-control mechanisms, and/or any other data (for example, environmental data, data from landfill operations, etc.). In some embodiments, the data stored in database **510** may be used to train predictive landfill state estimator **702**. In some embodiments, the data stored in database **510** may be provided as input data to the predictive landfill state estimator, which may use the data to predict the next state of the landfill under control. In some embodiments, the data stored

in database **510** may be provided as input data to the control module(s) **605** and may be used to determine the values of control parameters **644**. The database may be implemented using MySQL, dBASE, IBM DB2, LibreOffice Base, Oracle, SAP, Microsoft SQL Server, MariaDB, SQLite, FoxPro, and/or any other commercially available database management software that will be recognized by one of ordinary skill in the art. In some embodiments, the database may be of a custom construction.

In some embodiments, the controller module **504** may display certain data and/or accept inputs via a user interface **508**. In some embodiments, the user interface **508** may include a web site, may include a mobile application (tablet, phone, or other mobile device), and/or may be provided through a terminal via a local network (e.g., secure local network) operating at the landfill under control. The user interface may display current and/or historical gas extraction data collected from a particular well or any set of wells in a given landfill. The user interface may display data via tables, charts, graphs, and/or any other suitable technique, and may do so over various periods of time (e.g., the previous day, past week, past month, etc.). The user interface may overlay data from wells in a given landfill on top of or embedded into aerial maps or renderings of the landfill, and/or it may display data overlays with topographical maps, schematics of the underground piping system, and/or other engineering drawings.

In some embodiments, the user interface may allow users to click on a particular well or set of wells and manually adjust set points, design constraints, and/or other parameters of the control system **500** as they pertain to those wells. The user interface may allow users to set alarms or notifications if gas extraction data or gas data from wells under control cross certain thresholds as defined by the user (for example, a user may request an email or SMS message to be sent in the event that gas from any well exceeds 55% methane or drops below 45% methane by volume, and/or a user may set an alarm if gas temperature rises above 120 degrees Fahrenheit at any well, etc.).

In some embodiments, control modules **605** corresponding to two or more In Situ Control Mechanisms **606** may be in communication with each other (e.g., control modules **605** may be implemented by controller **504** and share data through the memory of controller **504**, and/or control modules **605** may be implemented by the corresponding In Situ Control Mechanisms, which may communicate with each other directly or through controller **504**). The control parameters **644** for a given In Situ Control Mechanism **606** may then be determined in accordance with, and/or driven by, the behavior, control parameters, sensor readings, and/or other data of other In Situ Control Mechanisms in the landfill under control (e.g., in the surrounding area). Such interdependence among the control parameters **644** of the in situ control mechanisms **606** may improve the performance of the gas extraction system, because adjustments to each gas extraction point, being in fluid communication in the trash, and/or in fluid communication through the gas extraction piping system, may influence the surrounding areas. The spatial area around a given landfill gas extraction well that is affected by that well is called its "Zone of Influence."

FIG. 8 depicts the Zones of Influence **804a-c** around a set of several gas extraction wells **802a-c**. In this example, well **802c** has overlapping zones of influence **806** with both other wells. In such an example, changes to the gas extraction rate at well **802c** will impact the gas characteristics at wells **802a** and **802b**. In some embodiments of the landfill gas extraction control system disclosed herein, one objective of the

processing performed by the state estimator and/or control module(s) **605** may be to identify such overlapping zones of influence and incorporate interactions between wells into their models.

The inventors have recognized and appreciated that as the porosity of waste in a landfill varies (due to heterogeneous waste composition and compaction at the time of dumping, and also due to the natural decomposition of waste over time and settling effects), certain wells may have highly irregular zones of influence **904a-b** as depicted in FIG. **9** below. By placing a set of In-Situ Control Mechanisms on adjacent wells in a landfill, it may be possible to quantify and model the strength of interactions between individual wells and to create an interaction matrix that captures an effective “coupling parameter” between any two or more wells in that landfill. In some embodiments, the coupling parameters and/or the interaction matrix may be used to develop or improve the model(s) of the state estimator and/or control module(s) **605** in the control system, and/or may be used to inform the placement of additional wells (e.g., in areas of the landfill where gas extraction may be lacking with the existing wells).

The techniques and devices disclosed herein may be used to modulate the rate of gas extraction of a well or set of wells in accordance with any suitable control scheme, including but not limited to:

- Modulation of the gas extraction rate to control vacuum pressure (e.g., maintain and/or obtain a constant vacuum pressure) in the landfill and/or wells under control (in spite of varying atmospheric pressure, temperature, and/or varying rates of gas generation, etc.);
- Modulation of the gas extraction rate to maintain and/or obtain a constant flow rate of landfill gas from the landfill and/or wells under control;
- Modulation of the gas extraction rate to control (e.g., increase or decrease) the flow rate of landfill gas from the landfill and/or wells under control;
- Modulation of the gas extraction rate to maintain and/or obtain a constant percentage of any of the constituent gases (including but not limited to methane, carbon dioxide, oxygen, nitrogen, etc.) in the landfill gas coming from the landfill and/or wells under control;
- Modulation of the gas extraction rate to control (e.g., increase or decrease) the concentration of any of the constituent gases in the landfill gas coming from the landfill or wells under control;
- Modulation of the gas extraction rate to control (e.g., increase or decrease) the energy content of the landfill gas (e.g., control the total quantity of methane extracted in a given period of time, etc.) coming from the landfill and/or wells under control;
- Modulation of the gas extraction rate to control (e.g., increase or decrease) the total volume of the landfill gas (e.g., control the total quantity of landfill gas extracted in a given period of time, etc.) coming from the landfill and/or wells under control;
- Modulation of the gas extraction rate to increase the rate of extraction during periods of increased energy demand (e.g., increasing generation during the peaks of real time, hourly, daily, weekly, monthly, and/or seasonal electricity prices);
- Modulation of the gas extraction rate to decrease the rate of extraction during periods of reduced energy demand (e.g., reducing generation during the lows of real time, hourly, daily, weekly, monthly, or seasonal electricity prices);

Modulation of the gas extraction rate to control (e.g., maintain, improve, and/or establish) the long term stability of the biochemical decomposition processes (aerobic or anaerobic digestion, etc.) occurring within a section of waste that is in the vicinity of the well(s) under control;

Modulation of the gas extraction rate to control (e.g., increase or decrease) the rates of decomposition occurring within a section of waste that is in the vicinity of the well(s) under control;

Modulation of the gas extraction rate to match the operating parameters or limitations of the gas collection system for the landfill and/or wells under control (including limitations of header junctions and/or subsections of underground piping that impact only certain wells);

Modulation of the gas extraction rate to prevent or extinguish underground fires and/or other potentially dangerous events occurring within a section of waste that is in the vicinity of the well(s) under control;

Modulation of the gas extraction rate to control (e.g., reduce) emission of odors from the landfill and/or wells under control;

Modulation of the gas extraction rate to control (e.g., reduce) emissions of landfill gas or components of landfill gas (H₂S, methane, etc.) in the vicinity of the gas extraction well(s) under control;

Modulation of the gas extraction rate to control (e.g., reduce) gas losses into the atmosphere;

Modulation of the gas extraction rate to control (e.g., maintain, improve, and/or establish) compliance of the gas extraction system with local, state and/or federal regulations;

Modulation of the gas extraction rate to control (e.g., reduce) damage to an engine, turbine, and/or other energy generation equipment from contaminants emanating from the vicinity of a well or wells under control;

The success or failure of the above-described control schemes may be assessed in any suitable way. In some embodiments, attributes of the landfill gas may be monitored over a period of time, and a determination may be made as to whether the monitored values comply with the control scheme. For example, to determine whether a specified quantity of methane has been extracted from the landfill in a specified time period, the concentration of methane in the extracted landfill gas and the flow rate of the extracted landfill gas may be monitored during the time period, and quantity of extracted methane may be determined based on the monitored methane concentration levels and gas flow rates. In some embodiments, attributes of the landfill gas may be measured at a specified time, and a determination may be made as to whether the measured values comply with the control scheme. For example, to determine whether the flow rate of extracted landfill gas matches a target flow rate, the flow rate of extracted landfill gas may be measured at some time and compared to the target flow rate.

In some embodiments, the control system **500** may be used to monitor the effect of other treatments besides just the setting of the control valve (e.g., monitoring effects of microbial treatment, leachate recirculation, watering out/pumping of the wells, adding iron, H₂S abatement, etc.).

FIG. **10** illustrates a method **1000** for control extraction of landfill gas from a landfill through a gas extraction system, according to some embodiments. In step **1002** of method **1000**, values indicating conditions associated with the landfill are measured. In step **1004** of method **1000**, a future state

of the landfill is predicted based, at least in part, on the measured values and on the model of the landfill. In some embodiments, the predicted future state may be computed by at least one computing device. In step **1006** of method **1000**, one or more control parameters are determined for one or more control devices configured to control operation of the landfill's gas extraction system. In step **1008** of method **1000**, the control parameter(s) are applied to the control device(s) of the gas extraction system. In step **1010** of method **1000**, extraction of the landfill gas is controlled (e.g., by the one or more control devices) based, at least in part, on the control parameter(s).

In some embodiments, the predicted future state of the landfill may include one or more predicted attributes of the landfill gas produced by the landfill and/or extracted by the gas extraction system at a future time and/or in a future time period. In some embodiments, the future state of the landfill may be predicted based, at least in part, on the predicted future state of the landfill, on the model of the landfill, on the current state of the landfill, on control parameter(s) applied to the control device(s) before making the prediction, and/or on environmental data indicating environmental conditions associated with the landfill. In some embodiments, the current state of the landfill may include the measured values indicating conditions associated with the landfill. In some embodiments, the measured values may be measured by sensor devices (e.g., sensor devices associated with one or more in situ control mechanisms). The values indicating conditions associated with the landfill may include temperature, pressure, flow rate, humidity, density, and/or composition of the landfill gas. In some embodiments, the determined attributes may correspond to landfill gas provided by a single well, landfill gas provided by a plurality of wells, and/or landfill gas extracted from the landfill. In some embodiments, the environmental data may indicate atmospheric pressure, ambient temperature, wind direction, wind speed, characteristics of ambient precipitation, subsurface temperature, subsurface moisture level, and/or pH value of an area of the landfill or adjacent to the landfill.

In some embodiments, the one or more control parameters may be determined based, at least in part, on predicted future electrical power demand and/or on an energy content of the landfill gas extracted from the landfill. In some embodiments, the one or more control parameters may be applied to the one or more respective control devices in real time. In some embodiments, controlling extraction of the landfill gas from the landfill may include controlling a flow rate and/or composition of the landfill gas extracted from the landfill. In some embodiments, the control parameter(s) may be determined based, at least in part, on the predicted future state of the landfill, on a current state of the landfill, on one or more current values of the control parameters, and/or on a control objective for the landfill. In some embodiments, the control parameter(s) may be determined based, at least in part, on electrical power data including past electrical power consumption, past electrical power prices, predicted future electrical power demand, and/or predicted future electrical power prices. In some embodiments, the control parameter(s) may be determined based, at least in part, on a target rate at which the landfill gas is extracted from the landfill by the gas extraction system, a target vacuum pressure applied to the gas extraction system, a target composition of the landfill gas extracted from the landfill by the gas extraction system, a target energy content of the landfill gas extracted from the landfill by the gas extraction system, a target volume of the landfill gas extracted from the landfill by the gas extraction system, a target stability of a

decomposition process in the landfill, a target rate of a decomposition process in the landfill, a target rate of emission of the landfill gas into an atmosphere, a target odor level associated with emission of the landfill gas into the atmosphere, and/or a target level of compliance with one or more regulations applicable to the landfill. In some embodiments, the control parameter(s) may be determined based, at least in part, on the exact chemical composition of the gas as specified by the operator of the pipeline system into which the extracted gas is being introduced.

Although not illustrated in FIG. **10**, some embodiments of method **1000** may include one or more steps for adapting the predictive model(s) of the predictive landfill state estimator. In some embodiments, such steps may include (1) after computing the predicted future state of the landfill at the future time, determining an actual state of the landfill at the future time, and (2) adapting the model based, at least in part, on a difference between the predicted future state of the landfill and the determined actual state of the landfill. In some embodiments, adapting the model may include adapting the model to decrease the difference between the predicted future state of the landfill and the determined actual state of the landfill.

FIG. **12** is a flowchart of an illustrative process **1200** for controlling extraction of landfill gas through a gas extraction system, according to some embodiments. Process **1200** may be performed by any suitable system and, for example, may be performed by control system **500** described herein with reference to FIG. **5**. In some embodiments, the entirety of process **1200** may be performed by an in situ controller and, for example, may be performed by in situ controller **400** described herein with reference to FIG. **4**. In some embodiments, one or more acts of process **1200** may be performed by an in situ controller (e.g., in situ controller **400**) collocated with a flow-control mechanism (e.g., a valve) and one or more other acts of process **1200** may be performed by a remote controller (e.g., controller module **504**).

Process **1200** may be used for controlling extraction of landfill gas such that the concentration(s) of one or more constituent gases fall within a target range or ranges. For example, process **1200** may be used for controlling extraction of landfill gas such that the concentration of methane in the extracted landfill gas is in a specified range (e.g., 35%—65% by volume, 40%-60% by volume, 45-55% by volume, and/or any other suitable target range within these ranges).

Process **1200** begins at act **1202**, where a measured concentration of a first gas is obtained. The measured concentration may be obtained by using one or more sensors (e.g., one or more of sensors **205**) configured to sense partial pressure and/or concentration of the first gas in the landfill gas being extracted from a landfill. The first gas may be methane, oxygen, nitrogen, carbon dioxide, carbon monoxide, hydrogen sulfide or any other gas that may be part of gas being extracted from a landfill.

Next, process **1200** proceeds to decision block **1204**, where it is determined whether the measured concentration of the first gas obtained at act **1202** is less than a first target threshold concentration. For example, the first gas may be methane and it may be determined, at decision block **1204**, whether the measured concentration of methane is less than a first target concentration of methane (e.g., less than 30% by volume, less than 35% by volume less than 40% by volume, less than 45% by volume, less than 50% by volume, less than 55% by volume, and/or less than any suitable percentage in the 30-55% range by volume).

When it is determined that the measured concentration is less than the first threshold concentration, process **1200** proceeds, via the YES branch, to act **1206**, where one or more flow control mechanisms are controlled to reduce the flow rate of landfill gas being extracted from the landfill. For example, in some embodiments, a single flow control mechanism (e.g., a valve) may be controlled to reduce the flow rate of landfill gas (e.g., by closing the valve to a greater degree). In some embodiments, multiple flow control mechanisms (at a same site or different sites in a landfill) may be controlled to reduce the flow rate of landfill gas. In some embodiments, a valve may be closed by a predefined increment, for example, by 5% or by any other suitable amount. In some embodiments, a flow control mechanism may be controlled by an in situ and/or a remote controller by receiving one or more control signals from the in situ controller and/or the remote controller.

On the other hand, when it is determined that the measured concentration is greater than or equal to the first threshold concentration, process **1200** proceeds, via the NO branch, to decision block **1208**, where it is determined whether the measured concentration obtained at act **1202** is greater than a second target threshold concentration. For example, the first gas may be methane, and it may be determined, at decision block **1208**, whether the measured concentration of methane is greater than a second target concentration of methane (e.g., greater than 40% by volume, greater than 45% by volume, greater than 50% by volume, greater than 55% by volume, greater than 60% by volume, greater than 65% by volume, and/or greater than any suitable percentage in the 40-70% range by volume).

When it is determined that the measured concentration is not greater than the second target threshold concentration, process **1200** completes, as the measured concentration is in the target range (between the first and second target concentrations). The process **1200** may be repeated periodically and/or according to a schedule to continue monitoring the concentration of the first gas in the landfill gas being extracted from the landfill.

On the other hand, when it is determined, at decision block **1208**, that the measured concentration is greater than the second threshold concentration, process **1200** proceeds, via the YES branch, to act **1210**, where one or more flow control mechanisms are controlled to increase the flow rate of landfill gas being extracted from the landfill. For example, in some embodiments, a single flow control mechanism (e.g., a valve) may be controlled to increase the flow rate of landfill gas (e.g., by opening the valve to a greater degree). In some embodiments, multiple flow control mechanisms (at a same site or different sites in a landfill) may be controlled to increase the flow rate of landfill gas. In some embodiments, a valve may be opened by a predefined increment, for example, by 5% or by any other suitable amount.

As shown in FIG. **12**, after completion of either of acts **1206** and **1208**, process **1200** returns to act **1202**, where an updated measurement of the concentration of the first gas may be obtained and another iteration of the process **1200** may begin to be performed. In this way, process **1200** may involve iteratively increasing and/or decreasing the flow rate of gas (e.g., by opening and/or closing one or more valves) in order to achieve a target concentration of a constituent gas.

It should be appreciated that process **1200** is illustrative and that there are variations. For example, although the control scheme illustrated in FIG. **12** may be used for achieving a target concentration of methane in landfill gas, the relationship between flow rate and gas concentration for

other gasses (e.g. oxygen and nitrogen) may be different. Accordingly, in some embodiments, when the first gas is oxygen or nitrogen, one or more flow control mechanisms may be controlled to increase (rather than decrease as the case may be when the first gas is methane) the flow rate landfill gas in response detecting that the measured concentration of the first gas is less than a first threshold concentration. Additionally, in such embodiments, one or more flow control mechanisms may be controlled to decrease (rather than increase as the case may be when the first gas is methane) the flow rate landfill gas in response detecting that the measured concentration of the first gas is greater than a first threshold concentration. In such embodiments, the "YES" branch from decision block **1204** would connect to act **1210** instead of the "YES" branch from decision block **1208**, and the "YES" branch from decision block **1208** would connect to act **1206**.

As discussed herein, the inventors have developed techniques for controlling extraction of landfill gas in order to maximize the energy content of the extracted gas. In some embodiments, the techniques involve iteratively adjusting the flow rate of extracted landfill gas, based on flow rate and methane concentration measurements, so as to maximize the product of methane concentration and extracted landfill gas flow rate. The product of methane concentration and gas flow rate may provide an estimate of the energy content of landfill gas being extracted.

FIG. **13** is a flowchart of an illustrative process **1300** for controlling extraction of landfill gas through a gas extraction system with the goal of maximizing the energy content of the landfill gas. Process **1300** may be performed by any suitable system and, for example, may be performed by control system **500** described herein with reference to FIG. **5**. In some embodiments, the entirety of process **1300** may be performed by an in situ controller and, for example, may be performed by in situ controller **400** described herein with reference to FIG. **4**. In some embodiments, one or more acts of process **1300** may be performed by an in situ controller (e.g., in situ controller **400**) co-located with a flow-control mechanism (e.g., a valve) and one or more other acts of process **1300** may be performed by a remote controller (e.g., controller module **504**).

Process **1300** begins at act **1302**, where a current measure of energy content in a first portion of extracted landfill gas may be obtained. In some embodiments, the measure of energy content may be obtained by: (1) measuring the concentration of methane in the first portion of extracted landfill gas (e.g., using one or more of sensors **205**, which may include at least one sensor configured to sense partial pressure and/or concentration of methane); (2) measuring the flow rate of extracted landfill gas (e.g., by using one or more of sensors **205** to determine a pressure differential across a venturi, orifice plate, or other restriction to the flow of gas; by pitot tube, mechanical flow meter, heated wire or thermal mass flow meter, and/or using any other suitable technique); and (3) calculating an estimate of the energy content as a product of the measured methane concentration and the determined flow rate. Though, it should be appreciated that the measure of energy content may be obtained in any other suitable way.

Next process **1300** proceeds to act **1304**, where one or more flow control mechanisms are used to change the flow rate of gas being extracted from the landfill. For example, the flow rate of rate of gas may be increased at act **1304**. The flow control mechanism(s) may include one or more valves, which may be opened to a greater degree in order to increase the flow rate of gas, respectively.

Next process **1300** proceeds to act **1306**, where an updated measure of energy content in a second portion of extracted landfill gas may be obtained. This measurement may reflect the impact of changes to the gas flow rate made at act **1304** onto the energy content of landfill gas being extracted. The updated measure of energy content may be obtained in any suitable way and, for example, may be obtained in the same way as described with reference to act **1302**. For example, in some embodiments, the updated measure of energy content may be obtained: (1) measuring the concentration of methane in the second portion of extracted landfill gas (e.g., using one or more of sensors **205**, which may include at least one sensor configured to sense partial pressure and/or concentration of methane); (2) measuring the flow rate of extracted landfill gas (e.g., by using one or more of sensors **205** to determine a pressure differential across a venturi, orifice plate, or other restriction to the flow of gas; by pitot tube, mechanical flow meter, heated wire or thermal mass flow meter, and/or using any other suitable technique); and (3) calculating an estimate of the energy content as a product of the measured methane concentration and the determined flow rate.

Next, process **1300** proceeds to decision block **1308**, where it is determined whether the updated measure of energy content obtained at act **1306** is greater than the current measure of energy content obtained at act **1302**. When it is determined that the updated measure of energy content is greater than the current measure of energy content, process **1300** proceeds, via the YES branch, to act **1312** where one or more flow control mechanism(s) are controlled to increase the flow rate of gas. For example, in some embodiments, a single flow control mechanism (e.g., a valve) may be controlled to increase the flow rate of landfill gas (e.g., by opening the valve to a greater degree). In some embodiments, multiple flow control mechanisms (at a same site or different sites in a landfill) may be controlled to reduce the flow rate of landfill gas. In some embodiments, a valve may be opened by a predefined increment, for example, by 5% or by any other suitable amount. In some embodiments, a flow control mechanism may be controlled by an in situ and/or a remote controller by receiving one or more control signals from the in situ controller and/or the remote controller.

On the other hand, when it is determined that the updated measure of energy content is not greater than the current measure of energy content, process **1300** proceeds, via the NO branch, to act **1310** where one or more flow control mechanism(s) are controlled to decrease the flow rate of gas. For example, in some embodiments, each of one or more valves may be controlled (e.g., by receiving one or more control signals from one or more controllers) to close to a greater degree (e.g., by a predefined increment of any suitable size or in any other suitable way) in order decrease the flow rate of landfill gas being extracted.

After one of acts **1310** and **1312** is performed, the current measure of energy content is changed to be the updated measure of energy content, and process **1300** returns to act **1306**, where a new updated measure of energy content in another portion of extracted landfill gas is obtained. Thereafter, decision block **1308** and acts **1310**, **1312**, and **1314** may be repeated. In this way, process **1300** may involve iteratively increasing and/or decreasing the flow rate of gas (e.g., by opening and/or closing one or more valves) in order to extract landfill gas having high energy content.

It should be appreciated that process **1300** is illustrative and that there are variations. For example, in some embodiments, the techniques for controlling the extraction of land-

fill gas may seek to maximize energy content in the landfill gas subject to one or more constraints on the concentration(s) of one or more other gases (e.g., nitrogen and/or oxygen). Limits on concentration of such gases may be imposed by landfill operators, local regulations, state regulations, and/or federal regulations. Accordingly, in some embodiments, process **1300** may further include steps to measure concentrations of nitrogen (e.g., by inferring nitrogen concentration as the concentration of balance gas by using measured concentrations of oxygen, methane, and carbon dioxide) and/or oxygen (e.g., using an oxygen sensor).

In turn, at decision block **1308**, process **1300** may proceed to act **1312** to increase the flow rate of landfill gas only when it is determined both that the updated measure of energy content is greater than the current measure of energy content and the concentration of nitrogen or oxygen is less than a respective threshold (e.g., 2.5% by volume for nitrogen, 5.0% by volume for oxygen). Similarly, at decision block **1308**, process **1300** may proceed to act **1310** to decrease the flow rate of landfill gas when it is determined that either the updated measure of energy content is lower than the current measure of energy content or that the nitrogen (or oxygen) concentration is greater than its respective threshold.

As discussed herein, the inventors have developed techniques for controlling extraction of landfill gas that take into account changes in atmospheric conditions, such as atmospheric pressure. In some embodiments, the flow rate of landfill gas being extracted may be decreased in response to increasing atmospheric pressure and/or increased in response to decreasing atmospheric pressure. One such example embodiment is illustrated in FIG. **14**.

FIG. **14** is a flowchart of an illustrative process **1400** for controlling extraction of landfill gas through a gas extraction system based, at least in part, on atmospheric pressure measurements. Process **1400** may be performed by any suitable system and, for example, may be performed by control system **500** described herein with reference to FIG. **5**. In some embodiments, the entirety of process **1400** may be performed by an in situ controller and, for example, may be performed by in situ controller **400** described herein with reference to FIG. **4**. In some embodiments, one or more acts of process **1400** may be performed by an in situ controller (e.g., in situ controller **400**) co-located with a flow-control mechanism (e.g., a valve) and one or more other acts of process **1400** may be performed by a remote controller (e.g., controller module **504**).

Process **1400** begins at act **1402**, where a measurement of atmospheric pressure may be obtained. This measured value (the “current atmospheric pressure” value) may be stored for subsequent comparison with one or more other atmospheric pressure measurements. In some embodiments, the measurement of atmospheric pressure may be obtained by using one or more of external sensors **203** (e.g., by an atmospheric pressure sensor) or in any other suitable way.

Next, at act **1404**, another measurement of atmospheric pressure (the “updated atmospheric pressure” value) may be obtained. This measurement may be obtained after a threshold amount of time (e.g., at least 1 minute, at least 2 minutes, at least 5 minutes, at least 10 minutes, at least 30 minutes, at least 1 hour, at least 5 hours, at least 1 day, at least one week, and/or any suitable threshold in the 1 minute-1 week range). The updated atmospheric pressure value may be compared to the current atmospheric pressure value at decision block **1406**.

When it is determined that the updated atmospheric pressure value is greater than the current atmospheric pres-

sure value, process **1400** proceeds, via the YES branch, to act **1410** where one or more flow control mechanism(s) are controlled to increase the flow rate of gas. For example, in some embodiments, a single flow control mechanism (e.g., a valve) may be controlled to increase the flow rate of landfill gas (e.g., by opening the valve to a greater degree). In some embodiments, multiple flow control mechanisms (at a same site or different sites in a landfill) may be controlled to reduce the flow rate of landfill gas. In some embodiments, a valve may be opened by a predefined increment, for example, by 5% or by any other suitable amount. In some embodiments, a flow control mechanism may be controlled by an in situ and/or a remote controller by receiving one or more control signals from the in situ controller and/or the remote controller.

On the other hand, when it is determined that the updated atmospheric pressure value is not greater than the current atmospheric pressure value, process **1400** proceeds, via the NO branch, to act **1408** where one or more flow control mechanism(s) are controlled to decrease the flow rate of gas. For example, in some embodiments, each of one or more valves may be controlled (e.g., by receiving one or more control signals from one or more controllers) to close to a greater degree (e.g., by a predefined increment of any suitable size or in any other suitable way) in order decrease the flow rate of landfill gas being extracted.

After one of acts **1408** and **1410** is performed, the current atmospheric pressure value is changed to be the updated atmospheric pressure value, and process **1400** returns to act **1404**, where a new updated atmospheric pressure measurement is obtained. Thereafter, decision block **1406** and acts **1408**, **1410**, and **1412** may be repeated. In this way, process **1400** may involve iteratively increasing and/or decreasing the flow rate of gas (e.g., by opening and/or closing one or more valves) based on atmospheric pressure changes.

It should be appreciated that process **1400** is illustrative and that there are variations. For example, in some embodiments, the techniques for controlling the extraction of landfill gas based on changes in atmospheric pressure may do so subject to one or more constraints on the concentration(s) of one or more other gases (e.g., nitrogen and/or oxygen). Limits on concentration of such gases may be imposed by landfill operators, pipeline operators, local regulations, state regulations, and/or federal regulations. Accordingly, in some embodiments, process **1400** may further include steps to measure concentrations of nitrogen (e.g., by inferring nitrogen concentration as the concentration of balance gas by using measured concentrations of oxygen, methane, and carbon dioxide) and/or oxygen (e.g., using an oxygen sensor).

In turn, at decision block **1406**, process **1400** may proceed to act **1410** to increase the flow rate of landfill gas only when it is determined both that there is a decrease in atmospheric pressure and the concentration of nitrogen or oxygen is less than a respective threshold (e.g., 2.5% by volume for nitrogen, 5.0% by volume for oxygen). Similarly, at decision block **1406**, process **1400** may proceed to act **1408** to decrease the flow rate of landfill gas when it is determined that either there is an increase in atmospheric pressure or that the nitrogen (or oxygen) concentration is greater than its respective threshold.

FIG. **11** illustrates an example of a suitable computing system environment **1100** on which techniques disclosed herein may be implemented. In some embodiments, portions of a landfill gas extraction control system may be implemented in a computing system environment. For example, in some embodiments, Device Manager **502**, Controller Mod-

ule **504**, User Interface **508**, and/or Database **510** may be implemented in a computing system environment. In some embodiments, aspects of one or more techniques describes herein may be implemented in a computing system environment.

The computing system environment **1100** is only one example of a suitable computing environment and is not intended to suggest any limitation as to the scope of use or functionality of the devices and techniques disclosed herein. Neither should the computing environment **1100** be interpreted as having any dependency or requirement relating to any one or combination of components illustrated in the exemplary operating environment **1100**.

The techniques disclosed herein are operational with numerous other general purpose or special purpose computing system environments or configurations. Examples of well-known computing systems, environments, and/or configurations that may be suitable for use with techniques disclosed herein include, but are not limited to, personal computers, server computers, hand-held devices (e.g., smart phones, tablet computers, or mobile phones), laptop devices, multiprocessor systems, microprocessor-based systems, set top boxes, programmable consumer electronics, network PCs, minicomputers, mainframe computers, distributed computing environments that include any of the above systems or devices, and the like.

The computing environment may execute computer-executable instructions, such as program modules. Generally, program modules include routines, programs, objects, components, data structures, etc. that perform particular tasks or implement particular abstract data types. The invention may also be practiced in distributed computing environments where tasks are performed by remote processing devices that are linked through a communications network. In a distributed computing environment, program modules may be located in both local and remote computer storage media including memory storage devices.

With reference to FIG. **11**, an exemplary system for implementing techniques described herein includes a general purpose computing device in the form of a computer **1110**. Components of computer **1110** may include, but are not limited to, a processing unit **1120**, a system memory **1130**, and a system bus **1121** that couples various system components including the system memory to the processing unit **1120**. The system bus **1121** may be any of several types of bus structures including a memory bus or memory controller, a peripheral bus, and/or a local bus using any of a variety of bus architectures. By way of example, and not limitation, such architectures include Industry Standard Architecture (ISA) bus, Micro Channel Architecture (MCA) bus, Enhanced ISA (EISA) bus, Video Electronics Standards Association (VESA) local bus, and Peripheral Component Interconnect (PCI) bus also known as Mezzanine bus.

Computer **1110** typically includes a variety of computer readable media. Computer readable media can be any available media that can be accessed by computer **1110** and includes both volatile and nonvolatile media, removable and non-removable media. By way of example, and not limitation, computer readable media may comprise computer storage media and communication media. Computer storage media includes both volatile and nonvolatile, removable and non-removable media implemented in any method or technology for storage of information such as computer readable instructions, data structures, program modules or other data. Computer storage media includes, but is not limited to, RAM, ROM, EEPROM, flash memory or other memory technology, CD-ROM, digital versatile disks (DVD) or other

optical disk storage, magnetic cassettes, magnetic tape, magnetic disk storage or other magnetic storage devices, or any other medium which can be used to store the desired information and which can be accessed by computer **1110**. Communication media typically embodies computer readable instructions, data structures, program modules or other data in a modulated data signal such as a carrier wave or other transport mechanism and includes any information delivery media. The term "modulated data signal" means a signal that has one or more of its characteristics set or changed in such a manner as to encode information in the signal. By way of example, and not limitation, communication media includes wired media such as a wired network or direct-wired connection, and wireless media such as acoustic, RF, infrared and other wireless media. Combinations of the any of the above should also be included within the scope of computer readable media.

The system memory **1130** includes computer storage media in the form of volatile and/or nonvolatile memory such as read only memory (ROM) **1131** and random access memory (RAM) **1132**. A basic input/output system **1133** (BIOS), containing the basic routines that help to transfer information between elements within computer **1110**, such as during start-up, is typically stored in ROM **1131**. RAM **1132** typically contains data and/or program modules that are immediately accessible to and/or presently being operated on by processing unit **1120**. By way of example, and not limitation, FIG. **11** illustrates operating system **1134**, application programs **1135**, other program modules **1136**, and program data **1137**.

The computer **1110** may also include other removable/non-removable, volatile/nonvolatile computer storage media. By way of example only, FIG. **11** illustrates a hard disk drive **1141** that reads from or writes to non-removable, nonvolatile magnetic media, a magnetic disk drive **1151** that reads from or writes to a removable, nonvolatile magnetic disk **1152**, and an optical disk drive **1155** that reads from or writes to a removable, nonvolatile optical disk **1156** such as a CD ROM or other optical media. Other removable/non-removable, volatile/nonvolatile computer storage media that can be used in the exemplary operating environment include, but are not limited to, magnetic tape cassettes, flash memory cards, digital versatile disks, digital video tape, solid state RAM, solid state ROM, and the like. The hard disk drive **1141** is typically connected to the system bus **1121** through a non-removable memory interface such as interface **1140**, and magnetic disk drive **1151** and optical disk drive **1155** are typically connected to the system bus **1121** by a removable memory interface, such as interface **1150**.

The drives and their associated computer storage media discussed above and illustrated in FIG. **11**, provide storage of computer readable instructions, data structures, program modules and other data for the computer **1110**. In FIG. **11**, for example, hard disk drive **1141** is illustrated as storing operating system **1144**, application programs **1145**, other program modules **1146**, and program data **1147**. Note that these components can either be the same as or different from operating system **1134**, application programs **1135**, other program modules **1136**, and program data **1137**. Operating system **1144**, application programs **1145**, other program modules **1146**, and program data **1147** are given different numbers here to illustrate that, at a minimum, they are different copies. A user may enter commands and information into the computer **1110** through input devices such as a keyboard **1162** and pointing device **1161**, commonly referred to as a mouse, trackball or touch pad. Other input devices (not shown) may include a microphone, joystick,

game pad, satellite dish, scanner, or the like. These and other input devices are often connected to the processing unit **1120** through a user input interface **1160** that is coupled to the system bus, but may be connected by other interface and bus structures, such as a parallel port, game port or a universal serial bus (USB). A monitor **1191** or other type of display device is also connected to the system bus **1121** via an interface, such as a video interface **1190**. In addition to the monitor, computers may also include other peripheral output devices such as speakers **1197** and printer **1196**, which may be connected through a output peripheral interface **1195**.

The computer **1110** may operate in a networked environment using logical connections to one or more remote computers, such as a remote computer **1180**. The remote computer **1180** may be a personal computer, a server, a router, a network PC, a peer device or other common network node, and typically includes many or all of the elements described above relative to the computer **1110**, although only a memory storage device **1181** has been illustrated in FIG. **11**. The logical connections depicted in FIG. **11** include a local area network (LAN) **1171** and a wide area network (WAN) **1173**, but may also include other networks. Such networking environments are commonplace in offices, enterprise-wide computer networks, intranets and the Internet.

When used in a LAN networking environment, the computer **1110** is connected to the LAN **1171** through a network interface or adapter **1170**. When used in a WAN networking environment, the computer **1110** typically includes a modem **1172** or other means for establishing communications over the WAN **1173**, such as the Internet. The modem **1172**, which may be internal or external, may be connected to the system bus **1121** via the user input interface **1160**, or other appropriate mechanism. In a networked environment, program modules depicted relative to the computer **1110**, or portions thereof, may be stored in the remote memory storage device. By way of example, and not limitation, FIG. **11** illustrates remote application programs **1185** as residing on memory device **1181**. It will be appreciated that the network connections shown are exemplary and other means of establishing a communications link between the computers may be used.

Embodiments of the above-described techniques can be implemented in any of numerous ways. For example, the embodiments may be implemented using hardware, software or a combination thereof. When implemented in software, the software code can be executed on any suitable processor or collection of processors, whether provided in a single computer or distributed among multiple computers. In some embodiments, the functions performed by an In Situ Control Mechanism **106** and/or a Controller **204** may be implemented as software executed on one or more processors.

Such processors may be implemented as integrated circuits, with one or more processors in an integrated circuit component, including commercially available integrated circuit components known in the art by names such as CPU chips, GPU chips, microprocessor, microcontroller, or coprocessor. Alternatively, a processor may be implemented in custom circuitry, such as an ASIC, or semicustom circuitry resulting from configuring a programmable logic device. As yet a further alternative, a processor may be a portion of a larger circuit or semiconductor device, whether commercially available, semicustom or custom. As a specific example, some commercially available microprocessors have multiple cores such that one or a subset of those cores

may constitute a processor. Though, a processor may be implemented using circuitry in any suitable format.

Further, it should be appreciated that a computer may be embodied in any of a number of forms, such as a rack-mounted computer, a desktop computer, a laptop computer, or a tablet computer. Additionally, a computer may be embedded in a device not generally regarded as a computer but with suitable processing capabilities, including a Personal Digital Assistant (PDA), a smart phone or any other suitable portable or fixed electronic device.

Also, a computer may have one or more input and output devices. These devices can be used, among other things, to present a user interface. Examples of output devices that can be used to provide a user interface include printers or display screens for visual presentation of output and speakers or other sound generating devices for audible presentation of output. Examples of input devices that can be used for a user interface include keyboards, and pointing devices, such as mice, touch pads, and digitizing tablets. As another example, a computer may receive input information through speech recognition or in other audible format.

Such computers may be interconnected by one or more networks in any suitable form, including as a local area network or a wide area network, such as an enterprise network or the Internet. Such networks may be based on any suitable technology and may operate according to any suitable protocol and may include wireless networks, wired networks or fiber optic networks.

Also, the various methods or processes outlined herein may be coded as software that is executable on one or more processors that employ any one of a variety of operating systems or platforms. Additionally, such software may be written using any of a number of suitable programming languages and/or programming or scripting tools, and also may be compiled as executable machine language code or intermediate code that is executed on a framework or virtual machine.

In this respect, the invention may be embodied as a computer readable storage medium (or multiple computer readable media) (e.g., a computer memory, one or more floppy discs, compact discs (CD), optical discs, digital video disks (DVD), magnetic tapes, flash memories, circuit configurations in Field Programmable Gate Arrays or other semiconductor devices, or other tangible computer storage medium) encoded with one or more programs that, when executed on one or more computers or other processors, perform methods that implement the various embodiments of the invention discussed above. As is apparent from the foregoing examples, a computer readable storage medium may retain information for a sufficient time to provide computer-executable instructions in a non-transitory form. Such a computer readable storage medium or media can be transportable, such that the program or programs stored thereon can be loaded onto one or more different computers or other processors to implement various aspects of the present invention as discussed above. As used herein, the term "computer-readable storage medium" encompasses only a computer-readable medium that can be considered to be a manufacture (i.e., article of manufacture) or a machine. Alternatively or additionally, the invention may be embodied as a computer readable medium other than a computer-readable storage medium, such as a propagating signal.

The terms "program" or "software" are used herein in a generic sense to refer to any type of computer code or set of computer-executable instructions that can be employed to program a computer or other processor to implement various aspects of the present invention as discussed above. Addi-

tionally, it should be appreciated that according to one aspect of this embodiment, one or more computer programs that when executed perform methods of the present invention need not reside on a single computer or processor, but may be distributed in a modular fashion amongst a number of different computers or processors to implement various aspects of the present invention.

Computer-executable instructions may be in many forms, such as program modules, executed by one or more computers or other devices. Generally, program modules include routines, programs, objects, components, data structures, etc. that perform particular tasks or implement particular abstract data types. Typically the functionality of the program modules may be combined or distributed as desired in various embodiments.

Also, data structures may be stored in computer-readable media in any suitable form. For simplicity of illustration, data structures may be shown to have fields that are related through location in the data structure. Such relationships may likewise be achieved by assigning storage for the fields with locations in a computer-readable medium that conveys relationship between the fields. However, any suitable mechanism may be used to establish a relationship between information in fields of a data structure, including through the use of pointers, tags or other mechanisms that establish relationship between data elements.

Various aspects of the present invention may be used alone, in combination, or in a variety of arrangements not specifically discussed in the embodiments described in the foregoing and is therefore not limited in its application to the details and arrangement of components set forth in the foregoing description or illustrated in the drawings. For example, aspects described in one embodiment may be combined in any manner with aspects described in other embodiments.

Also, the invention may be embodied as a method, of which an example has been provided. The acts performed as part of the method may be ordered in any suitable way. Accordingly, embodiments may be constructed in which acts are performed in an order different than illustrated, which may include performing some acts simultaneously, even though shown as sequential acts in illustrative embodiments.

Various events/acts are described herein as occurring or being performed at a specified time. One of ordinary skill in the art would understand that such events/acts may occur or be performed at approximately the specified time.

Use of ordinal terms such as "first," "second," "third," etc., in the claims to modify a claim element does not by itself connote any priority, precedence, or order of one claim element over another or the temporal order in which acts of a method are performed, but are used merely as labels to distinguish one claim element having a certain name from another element having a same name (but for use of the ordinal term) to distinguish the claim elements.

Also, the phraseology and terminology used herein is for the purpose of description and should not be regarded as limiting. The use of "including," "comprising," or "having," "containing," "involving," and variations thereof herein, is meant to encompass the items listed thereafter and equivalents thereof as well as additional items.

Having thus described several aspects of at least one embodiment of this invention, it is to be appreciated that various alterations, modifications, and improvements will readily occur to those skilled in the art.

Such alterations, modifications, and improvements are intended to be part of this disclosure, and are intended to be

45

within the spirit and scope of the invention. Further, though advantages of the present invention are indicated, it should be appreciated that not every embodiment of the invention will include every described advantage. Some embodiments may not implement any features described as advantageous herein and in some instances. Accordingly, the foregoing description and drawings are by way of example only.

What is claimed is:

1. A control system for controlling extraction of landfill gas from a landfill via a gas extraction system, the control system comprising:

at least one processor configured to:

obtain a measured concentration of a first gas in landfill gas extracted from the landfill;

determine whether the measured concentration of the first gas is either less than a first threshold concentration or greater than a second threshold concentration;

when it is determined that the measured concentration is less than the first threshold concentration, control at least one flow control mechanism to reduce flow rate of landfill gas through the at least one flow control mechanism; and

when it is determined that the measured concentration is greater than the second threshold concentration, control the at least one flow control mechanism to increase the flow rate of landfill gas through the at least one flow control mechanism.

2. The control system of claim 1, wherein, when it is determined that the measured concentration is less than the first threshold concentration, the at least one processor is further configured to:

after controlling the at least one flow control mechanism to reduce the flow rate of the landfill gas through the at least one flow control mechanism,

obtain a second measured concentration of the first gas in landfill gas extracted from the landfill;

determine whether the second measured concentration of the first gas is less than the first threshold concentration; and

when it is determined that the second measured concentration of the first gas is less than the first threshold concentration, control the at least one flow control mechanism to further reduce the flow rate of landfill gas through the at least one flow control mechanism.

3. The control system of claim 1, wherein, when it is determined that the measured concentration is greater than the second threshold concentration, the at least one processor is further configured to:

after controlling the at least one flow control mechanism to increase the flow rate of the landfill gas through the at least one flow control mechanism,

obtain a second measured concentration of the first gas in landfill gas extracted from the landfill;

determine whether the second measured concentration of the first gas is greater than the second threshold concentration; and

when it is determined that the second measured concentration of the first gas is greater than the second threshold concentration, control the at least one flow control mechanism to further increase the flow rate of landfill gas through the at least one flow control mechanism.

4. The control system of claim 1, wherein the first gas is methane, and wherein the at least one processor is configured to determine whether the measured concentration of

46

methane is less than the first threshold concentration at least in part by determining whether the measured concentration of methane is less than 45 percent of methane by volume.

5. The control system of claim 1, wherein the first gas is methane, and wherein the at least one processor is configured to determine whether the measured concentration of methane is greater than the second threshold concentration at least in part by determining whether the measured concentration of methane is greater than 55 percent of methane by volume.

6. The control system of claim 1, wherein the first threshold concentration is less than the second threshold concentration.

7. The control system of claim 1,

wherein the at least one flow control mechanism comprises at least one valve,

wherein the at least one processor is configured to control the at least one flow control mechanism to increase the flow rate of landfill gas at least in part by causing the at least one valve to open to a greater degree, and

wherein the at least one processor is configured to control the at least one flow control mechanism to decrease the flow rate of landfill gas at least in part by causing the at least one valve to close to a greater degree.

8. The control system of claim 1, wherein the first gas is methane.

9. The control system of claim 1, wherein the gas extraction system comprises at least one sensor, the at least one sensor comprising a sensor configured to detect partial pressure or concentration of methane.

10. The control system of claim 1, wherein the gas extraction system comprises at least one sensor coupled to the at least one flow control mechanism.

11. The control system of claim 1, wherein the at least one processor is located remotely from the at least one flow control mechanism and is configured to wirelessly communicate with the at least one flow control mechanism.

12. A method for controlling extraction of landfill gas from a landfill via a control system, the method comprising: obtaining a measured concentration of a first gas in landfill gas extracted from the landfill,

determining whether the measured concentration of the first gas is either less than a first threshold concentration or greater than a second threshold concentration;

when it is determined that the measured concentration is less than the first threshold concentration, controlling at least one flow control mechanism to reduce the flow rate of landfill gas through the at least one flow control mechanism; and

when it is determined that the measured concentration is greater than the second threshold concentration, controlling the at least one flow control mechanism to increase the flow rate of landfill gas through the at least one flow control mechanism.

13. The method of claim 12, wherein, when it is determined that the measured concentration is less than the first threshold concentration, the method further comprises:

after controlling the at least one flow control mechanism to reduce the flow rate of the landfill gas through the at least one flow control mechanism,

obtaining a second measured concentration of the first gas in landfill gas extracted from the landfill;

determining whether the second measured concentration of the first gas is less than the first threshold concentration; and

when it is determined that the second measured concentration of the first gas is less than the first thresh-

47

old concentration, controlling the at least one flow control mechanism to further reduce the flow rate of landfill gas through the at least one flow control mechanism.

14. The method of claim 12, wherein, when it is determined that the measured concentration is greater than the second threshold concentration, the method further comprises:

after controlling the at least one flow control mechanism to increase the flow rate of the landfill gas through the at least one flow control mechanism,

obtaining a second measured concentration of the first gas in landfill gas extracted from the landfill;

determining whether the second measured concentration of the first gas is greater than the second threshold concentration; and

when it is determined that the second measured concentration of the first gas is greater than the second threshold concentration, controlling the at least one flow control mechanism to further increase the flow rate of landfill gas through the at least one flow control mechanism.

15. The method of claim 12, wherein the first gas is methane, and wherein determining whether the measured concentration of methane is less than the first threshold concentration comprises determining whether the measured concentration of methane is less than 45 percent of methane by volume.

16. The method of claim 12, wherein the first gas is methane, and wherein determining whether the measured concentration of methane is greater than the second threshold concentration comprises determining whether the measured concentration of methane is greater than 55 percent of methane by volume.

17. The method of claim 12, wherein the at least one flow control mechanism comprises at least one valve,

wherein controlling the at least one flow control mechanism to increase the flow rate of landfill gas comprises controlling the at least one valve to open to a greater degree, and

48

wherein controlling the at least one flow control mechanism to decrease the flow rate of landfill gas comprises controlling the at least one valve to close to a greater degree.

18. A control system for controlling extraction of landfill gas from a landfill via a gas extraction system comprising at least one flow control mechanism comprising a valve, the control system comprising:

at least one processor configured to:

obtain a measured concentration of a first gas in landfill gas extracted from the landfill;

determine whether the measured concentration of the first gas is either less than a first threshold concentration or greater than a second threshold concentration;

when it is determined that the measured concentration is less than the first threshold concentration, control the at least one flow control mechanism to increase flow rate of landfill gas through the at least one flow control mechanism at least in part by opening the valve in predefined increments; and

when it is determined that the measured concentration is greater than the second threshold concentration, control the at least one flow control mechanism to decrease the flow rate of landfill gas through the at least one flow control mechanism at least in part by closing the valve in predefined increments.

19. The control system of claim 18, wherein the first gas is oxygen.

20. The control system of claim 18, wherein the first gas is nitrogen.

21. The control system of claim 18, wherein opening the valve in predefined increments comprises opening the valve in one or more increments of 5%, and closing the valve in predefined increments comprises closing the valve in one or more increments of 5%.

* * * * *